

RECHARGEABLE POOL VACUUM
USER MANUAL
ASPIRATEUR RECHARGEABLE SANS FIL
MANUEL D'UTILISATION
LIMPIAFONDOS INALÁMBRICO RECARGABLE
MANUAL DE USUARIO
HERLAADBARE BODEMZUIGER
HANDLEIDING
PULITORE A BATTERIE RICARICABILI
MANUALE D'USO
WIEDERAUFLADBARER POOLSAUGER
BEDIENUNGSANLEITUNG



EV90
EV91
EV95

Table Of Contents

SAFETY WARNINGS & INSTRUCTIONS	P.7
HOW THE POOL VACUUM WORKS	P.10
GETTING STARTED	P.11
Charging The Battery	P.11
Set-Up Before Use	P.12
Side extension assembly	P.12
Side extension disassembly	P.13
Handle/Telescopic pole connector assembly	P.13
Regular & Fine Filter Bag Assembly	P.13
Silt Filter Bag Assembly	P.14
Brush assembly	P.15
Pool Preparation	P.16
OPERATION	P.16
Vacuuming the Sunken Compartment of an Automatic Slatted Cover	P.17
EMPTYING THE FILTER BAG	P.18
MAINTENANCE & STORAGE	P.18
BATTERY DISPOSAL	P.19
How to remove the battery pack	P.19
TROUBLESHOOTING	P.21

Remark: Product/parts photos/drawings in this manual are for demonstration only.
Product/parts in photos/drawings may vary with the model purchased.

Table des matières

AVERTISSEMENTS DE SÉCURITÉ ET INSTRUCTIONS	P.22
FONCTIONNEMENT DE L'ASPIRATEUR DE PISCINE	P.25
DÉBUT DES OPÉRATIONS	P.26
Chargement de la batterie	P.26
Réglage avant l'utilisation	P.27
Assemblage des extensions latérales	P.28
Démontage des extensions latérales	P.28
Assemblage de la poignée / connecteur pour manche télescopique	P.28
Ensemble sacs filtres ordinaires et fins	P.28
Ensemble sacs filtres à limon	P.29
Ensemble brosse	P.31
Préparation de la piscine	P.31
FONCTIONNEMENT	P.31
Passer l'aspirateur dans le compartiment submergé de votre couverture à lattes automatique	P.33
VIDER LE SAC DE FILTRATION	P.33
MAINTENANCE ET STOCKAGE	P.33
ÉLIMINATION DES BATTERIES	P.34
Comment retirer le bloc de batteries	P.35
REPÉRAGE DE PANNES	P.36

Remarque: Les photos / dessins de produits / pièces de ce manuel sont uniquement à titre de démonstration. Le produit / les pièces dans les photos / dessins peuvent varier en fonction du modèle acheté.

Índice de contenidos

AVISOS E INSTRUCCIONES DE SEGURIDAD	P.37
CÓMO FUNCIONA LA ASPIRADORA DE PISCINA	P.40
PRIMEROS PASOS	P.41
Cargando la batería	P.41
Configuración antes de uso	P.42
Montaje de las extensiones laterales	P.43
Desmontaje de las extensiones laterales	P.43
Montaje del conector de la pértiga telescópica/mango	P.43
Montaje de las bolsas de filtro normal y fino	P.43
Montaje de la bolsa de filtro de sedimentos	P.44
Montaje del cepillo	P.46
Preparación de la piscine	P.46
FUNCIONAMIENTO	P.46
Aspire el compartimento sumergido de su cubierta de listones automática	P.48
VACIADO DEL FILTRO	P.48
MANTENIMIENTO Y ALMACENAMIENTO	P.48
ELIMINACIÓN DE LA BATERÍA	P.49
Cómo retirar el paquete de baterías	P.50
RESOLUCIÓN DE PROBLEMAS	P.51

Observación: Las fotografías/ilustraciones del producto o de sus piezas que aparecen en este manual solo se incluyen a modo de muestra. El producto o las piezas que aparecen en las fotografías/ilustraciones pueden variar respecto al modelo adquirido.

Inhoudsopgave

VEILIGHEIDSWAARSCHUWINGEN & INSTRUCTIES	P.52
HOE DE ZWEMBADSTOFZUIGER WERKT VAN START GAAN	P.55
Batterij opladen	P.56
Instellen voor gebruik	P.57
Extensie monteren	P.58
Extensie demonteren	P.58
Handgreep/Telescopische paalverbinding monteren	P.58
Montage van de Gewone & Fijnmazige Filterzak	P.58
Montage van de Slibfilterzak	P.59
Borstelmontage	P.60
Vorbereiding Zwembad	P.61
GEBRUIK	P.61
Zuigen van het dieperliggende compartiment van een Automatische Lamellenafdekkingen	P.62
FILTERZAK LEGEN	P.63
ONDERHOUD & OPSLAG	P.63
VERWIJDERING VAN DE BATTERIJ	P.64
Hoe de batterij verwijderen	P.65
PROBLEMEN OPLOSSEN	P.66

Opmerking: Foto's/tekeningen van (onderdelen van) het product in deze handleiding dienen alleen ter illustratie. Foto's/tekeningen van (onderdelen van) het product kunnen verschillen van het model dat u hebt aangeschaft.

Indice

AVVERTENZE DI SICUREZZA & ISTRUZIONI	P.67
COME FUNZIONA IL PULITORE DELLA PISCINA	P.70
PER INIZIARE	P.71
Caricare la batteria	P.71
Montaggio prima dell'uso	P.72
Assemblaggio estensione laterale	P.73
Smontaggio estensione laterale	P.73
Assemblaggio connettore impugnatura / palo telescopico	P.73
Assemblaggio sacchetto filtro regolare e fine	P.73
Assemblaggio sacco di limo	P.74
Assemblaggio spazzole	P.76
Preparazione della piscine	P.76
FUNZIONAMENTO	P.76
Aspirazione dello scomparto incassato di una copertura a doghe automatica	P.78
SVUOTARE IL FILTRO	P.78
MANUTENZIONE & STOCCAGGIO	P.78
SMALTIMENTO DELLA BATTERIA	P.79
Come rimuovere il pack batteria	P.80
RISOLUZIONE DEI PROBLEMI	P.81

Precisazione: I prodotti/foto dei pezzi/bozzetti nel presente manuale sono solo a scopo dimostrativo. I prodotti/pezzi nelle foto/bozzetti possono variare rispetto al modello acquistato.

Inhaltsverzeichnis

SICHERHEITSHINWEISE UND ANWEISUNGEN	S.82
WIE DAS POOL-VAKUUM FUNKTIONIERT FERTIG MACHEN	S.85
Die Batterie aufladen	S.86
Vor Gebrauch einrichten	S.87
Verlängerung montieren	S.88
Verlängerung demontieren	S.88
Griff/Teleskopstangenverbinder montieren	S.88
Montage von Normal- und Feinfilterbeuteln	S.88
Montage des Schluffilterbeutels	S.89
Zusammenbau Bürste	S.91
Poolvorbereitung	S.91
BETRIEB	S.91
Absaugen des versenkten Fachs einer automatischen Lamellenabdeckung	S.93
LEEREN DER FILTERTASCHE	S.93
WARTUNG & LAGERUNG	S.93
BATTERIE ENTSORGUNG	S.94
So entfernen Sie den Akku	S.95
FEHLERBEHEBUNG	S.96

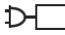
Kommentare Produkte/Teile auf den Fotos/Zeichnungen in dieser Anleitung dienen nur zur Veranschaulichung. Produkte/Teile auf den Fotos/Zeichnungen können beim gekauften Artikel variieren.

SAFETY WARNINGS & INSTRUCTIONS

Information contained in this Instruction Manual will help you operate the item safely, protect yourself and others from hazards, and prevent damage to the device and other property.

SAVE THESE INSTRUCTIONS

WARNING!

- This is not a TOY. Children should be kept out of reach from this pool vacuum and its accessories.
- Never allow children to operate this product.
- This appliance is not intended for use by persons with reduced physical, sensory, mental capabilities, or a lack of experience and knowledge, unless they are given supervision or instructions concerning the safe use of the appliance and understand the hazards involved by a person responsible for their safety.
- Children must not play with this product.
- Cleaning and user maintenance must not be carried out by children.
- Make sure the pool vacuum is fully immersed in water before initiating operation. The minimum water level required to operate the pool vacuum must cover the entire pool vacuum. Operating the pool vacuum when it is not immersed in the water correctly could damage the unit and void the warranty as a result.
- Maximum operating depth in water is 3 meters (10 ft.).
- Operating water temperature: 5°C (41°F) –35°C (95°F).
-  Detachable supply unit (external adaptor).
- The pool vacuum is only to be recharged with external adaptor and charging plug delivered with this product.
- For the purposes of recharging the battery, only use the detachable supply unit (external adaptor model number: DSS12D-1351000-B / DSS12D-1351000-C / DSS12D-1351000-D/ LX135100U) that provided with this pool vacuum to charge the battery.
- Connect the external adaptor to a power source through a residential current device (RCD) / a ground fault circuit interrupter (GFCI). If in doubt, consult a qualified professional electrician.
- DO NOT use this pool vacuum if any damage is detected.
- Replace damaged parts with ones that are certified by the distributor or manufacturer.
- Turn off the power, disconnect the external adaptor from the power source, and unplug the external adaptor from the charging plug before detaching the pool vacuum from the charging plug.
- Disconnect the pool vacuum from the supply mains and make sure the pool vacuum is powered OFF prior to servicing it such as cleaning the filter bag.
- DO NOT attempt to replace the installed rechargeable Li-ion battery pack.
- DO NOT handle the pool vacuum, external adaptor and charging plug

- while it is charging with wet limbs and without shoes.
- You should not operate this pool vacuum when people/pets are present in the water.
 - DO NOT use this pool vacuum without an intact filter bag in place, otherwise your warranty will be voided as a result.
 - Suction entrapment hazard: This pool vacuum generates suction. Do not allow hair, body, and any loose parts of your clothing to make contact with the suction point of the pool vacuum during its operation.
 - Never insert body parts, clothing, and other objects into the openings and moving parts of the pool vacuum.
 - DO NOT use this pool vacuum to pick up any toxic substance, flammable, and combustible liquids (i.e. gasoline) in the presence of explosive or flammable fumes.
 - Under no circumstances should you attempt to disassemble the pool vacuum and replace the impeller, motor, and battery by yourself.
 - Never insert fingers and any object to touch the impeller.
 - The built-in battery must be removed by a skilled technician before it is scrapped.
 - This pool vacuum contains a battery that are only to be removed by skilled persons.
 - The pool vacuum must be disconnected from the supply mains as the battery is removed.
 - For details regarding battery recycling/disposal, refer to the section "BATTERY DISPOSAL" in this manual and contact your local authorities for more information.
 - The battery must be disposed safely in accordance with local ordinances or regulations.
-
- External adaptor and charging plug:
 - Never use the external adaptor and charging plug for anything other than charging the battery of the pool vacuum that is supplied in the same pack.
 - The external adaptor and charging plug should not be used outdoors, nor should it be exposed to rain, humidity, any liquid or heat.
 - The transformer (or external adaptor) is to be located outside zone 1.
 - Keep the external adaptor and charging plug out of reach of children.
 - Never use the external adaptor and charging plug if any damage is detected.
 - DO NOT handle the external adaptor and charging plug with wet hands.
 - Keep the external adaptor disconnected from power when it is not in use.
 - Never attempt to open the external adaptor and charging plug.

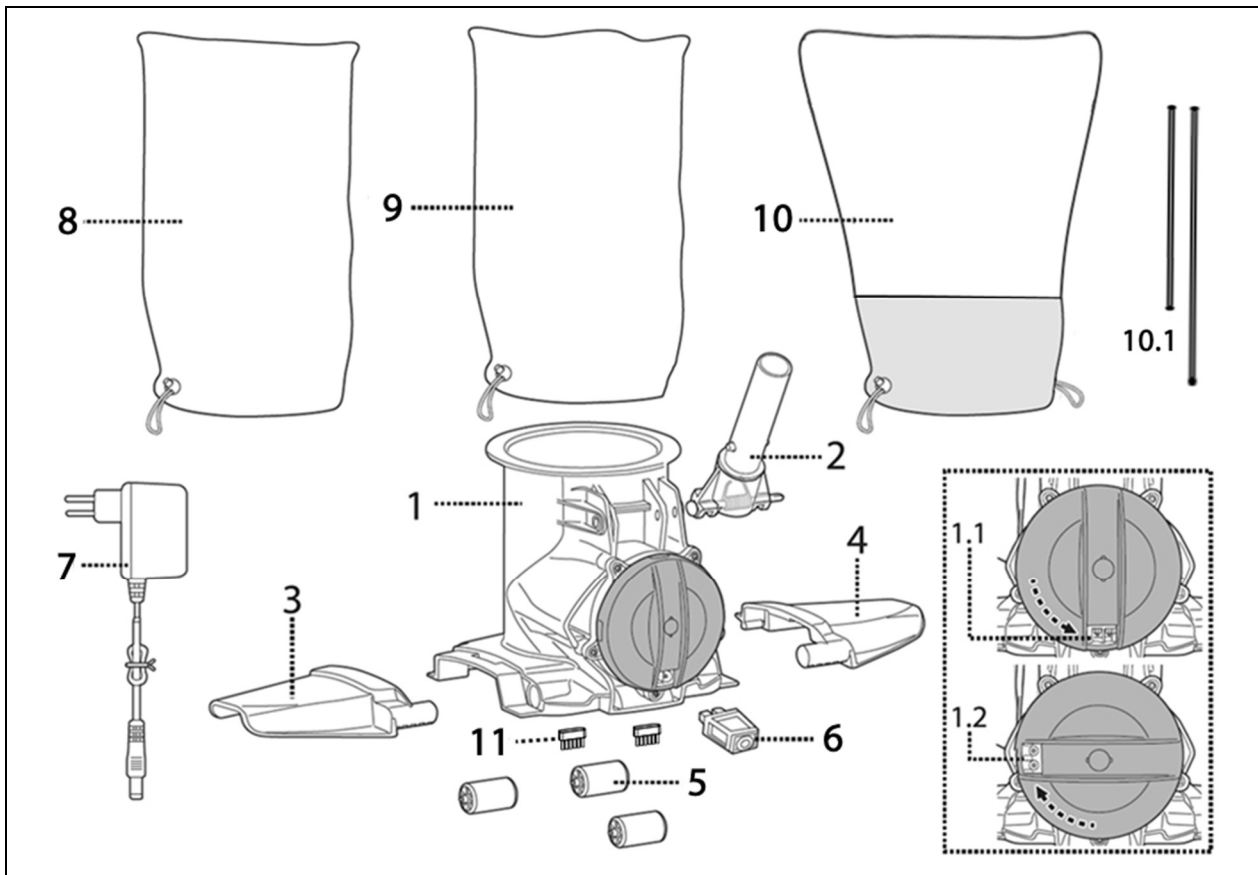
- If the supply cord of the external adaptor is damaged, the external adaptor must be replaced by the manufacturer or its service agent to prevent hazards of any kind.
- Make sure the pool vacuum and the charging plug are completely dry before charging.

CAUTION!

- This pool vacuum is designed for underwater use only; it is not an all-purpose vacuum cleaner. DO NOT attempt to use it to clean anything other than your pool.
- Use only original accessories delivered with this product.
- DO NOT use this pool vacuum right after pool-shocking. It is recommended to first leave the pool circulating for at least 24-48 hours.
- If you are planning on using the pool vacuum in a saltwater pool, make sure all salt are dissolved before placing it in the water.
- DO NOT use this pool vacuum with another automatic cleaner/cleaner simultaneously in the pool/spa..
- Avoid picking up hard, sharp objects with this product as they may damage the pool vacuum and filter.
- To avoid damaging the external adaptor and charging plug, do not attempt to carry the pool vacuum by the cable of external adaptor or pull the cable in hopes of disconnecting it from the power source and charging plug.
- Charge the pool vacuum indoors in a clean, dry area with good ventilation and away from sunlight.
- DO NOT leave the pool vacuum charged for over 10 hours.
- If the pool vacuum will not be used for an extended period, detach it from the charging plug and use a damp cloth to clean and dry the pool vacuum and its accessories. Make sure to charge the pool vacuum to about 30% to 50% of the battery capacity before it is stored. Store in a well-ventilated area away from sunlight, heat, ignition sources, pool chemicals, and children. Recharge the pool vacuum every three months.
- All actions concerning the disassembly of the main unit (i.e. battery disposal) can only be carried by an authorized technician.

Above warnings and cautions are not intended to incorporate all possible instances for risks and / or severe injuries. Pool / spa owners should always exercise extra caution and common sense when utilizing the product.

HOW THE POOL VACUUM WORKS



		Replacement Number			Replacement Number
1.	Main unit	Model EV90: - EV90ASM04 EV90ASM04/US	6.	Charging plug	EV90-09
		Model EV91: - EV91ASM04 EV91ASM04/US	7.	Adaptor	EV90-08-002 (EU) EV90-08-002/US(USA) EV90-08-002/AU (Australia/New Zealand)
		Model EV95: - EV95ASM04 EV95ASM04/US			
1.1.	Charging port (with 2 charging pins for charging)	-----	8.	Regular Filter bag x 1	EV90-06-001
1.2.	Water sensors	-----	9.	Fine Filter bag (for filtering fine particles) x 1	EV90-06-002
2.	Handle / Telescopic pole connector (with connector and spring)	EV90ASM01	10.	Silt bag	EV95-06-001 (included in model EV95 only)
			10.1.	Supporting rods	
3.	Left extension	EV90ASM02	11.	Brush x 2	EV90-10 (included in model EV91 / EV95 only)
4.	Right extension				
5.	Wheel x 3				

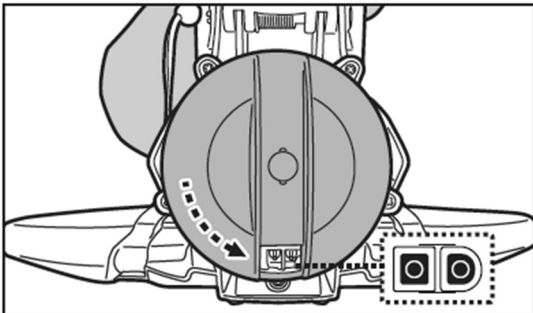
GETTING STARTED

Charging The Battery

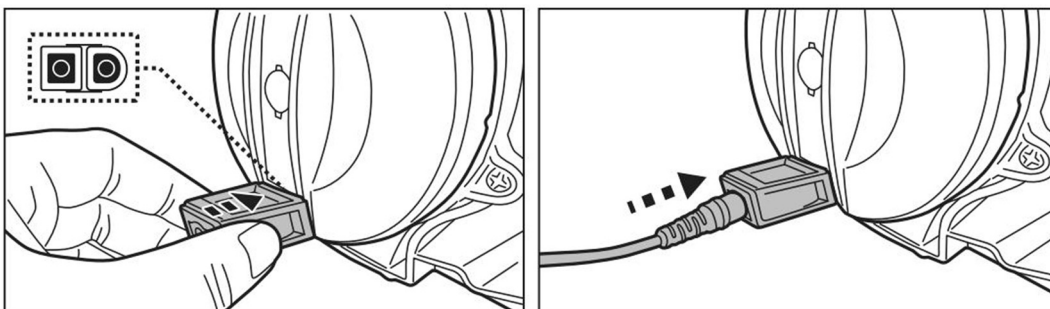
IMPORTANT NOTE: Fully charge the pool vacuum (about 6 hrs) before using it for the first time.

WARNING!

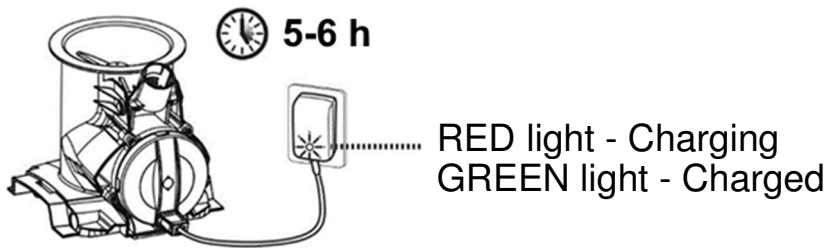
- Use only the original external adaptor and charging plug provided.
 - Make sure the pool vacuum and the charging port are clean and dry before set-up and charging. (TIPS : use a cotton bud to dry the charging port and charging pins)
 - The charging pins are waterproof. However, remnants of water in the port and around the pins could result in natural occurrence of stains (a byproduct of chemical reaction between water and electric currents). Otherwise, the stains can be removed by light scrubbing with a cotton bud soaked with juice of lemon or vinegar.
1. Place the unit on a flat surface. Set the pool vacuum to Power Off/ Charging Mode by turning the switching knob anticlockwise until it clicks and completely exposes the charging port.



2. Align and attach the charging plug to the charging port. **WARNING!** Be sure not to invert the charging plug and ensure both the charging plug and charging port are clean and dry before charging them. TIPS: Use cotton bud to dry the charging port and pins. Plug the charging cable of the external adaptor into the charging plug.



3. Connect the external adaptor to the power source. The indicator light on the external adaptor will turn red when the vacuum is charging and green when it is fully charged. Charge it for 5-6 hours for best performance.



- Immediately disconnect the external adaptor from the power source if you detect any of the following:
 - Offensive or unusual odor
 - Excessive heat
 - Deformation, cracks, leaks
 - Smoke
- 4. When charging is complete, disconnect the external adaptor from the power source and unplug the charging cable from the charging plug. Detach the charging plug from the main unit. **WARNING!** Never leave the charging plug while the pool vacuum is in the water.

Normally the pool vacuum is designed to operate for up to 75 minutes on a full charge.
Note: Empty the filter bag regularly. Excessive debris increases the burden to the motor and may shorten the operating time.

NOTE: Rechargeable lithium-ion battery is classified as a consumable item. It has a limited life and will gradually lose its capacity to hold a charge. Therefore, the running time of the pool vacuum will gradually reduce after repeated charging and discharging throughout its product life.

Once the lifespan of the battery reaches its end, refer to section “BATTERY DISPOSAL” for instructions regarding battery disposal.

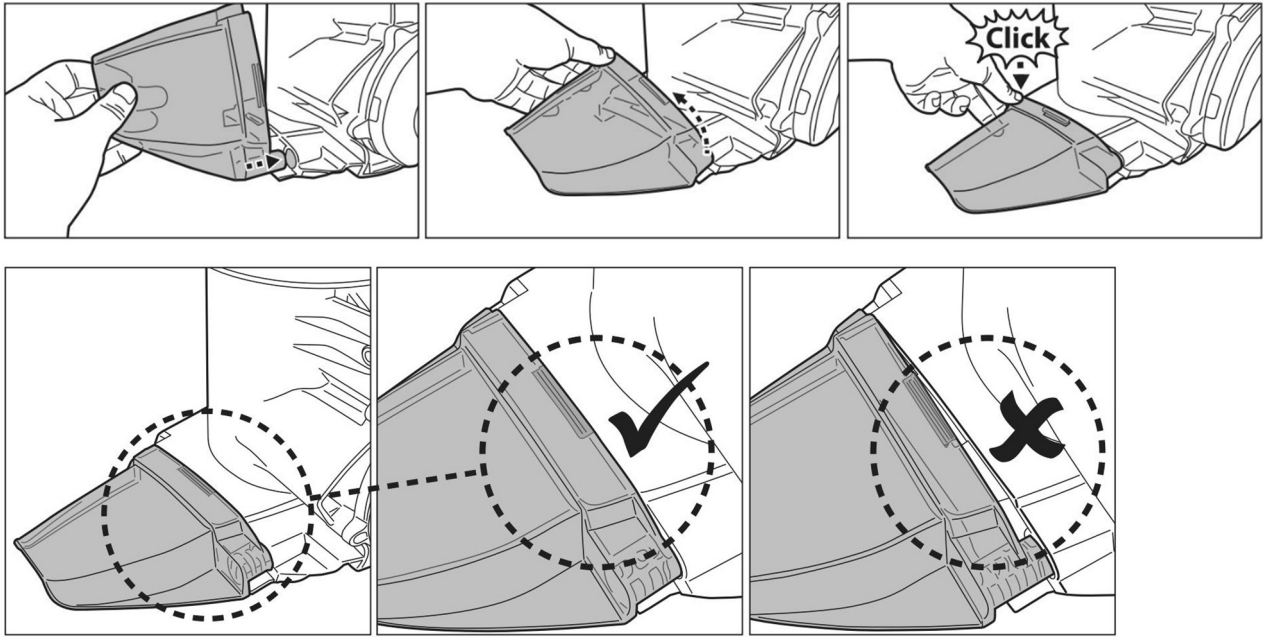
NOTE: Let the pool vacuum rest for around 30 to 40 minutes before charging it again.

Set-Up Before Use

This pool vacuum has removable extensions which can be removed to clean the narrow areas.

Side extension assembly

Insert the stem of the wing to the hole on the side of the main body. Turn the wing and press on it to secure it to the main body. You will hear a “click” sound.

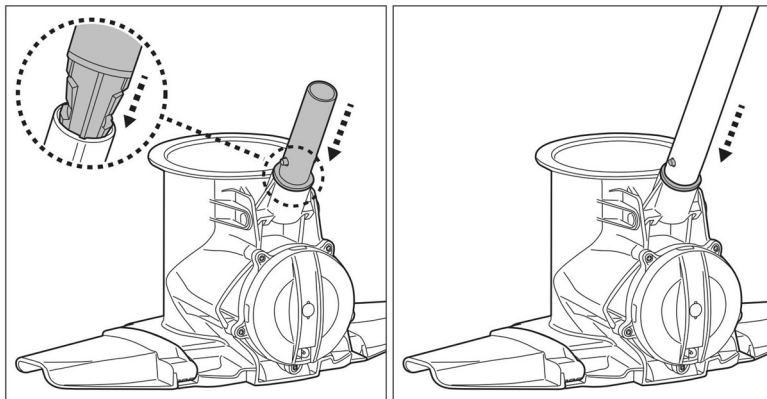


Side extension disassembly

Reverse the steps to disassemble the extension from the main unit.

Handle/Telescopic pole connector assembly

Align and insert the handle/ pole connector into the post as shown. Slide the telescopic pole into the pole connector until the holes on the side of the telescopic pole are secured to the pins of the pole connector.



Regular & Fine Filter Bag Assembly

Note: use the fine filter bag if your pool is filled with finer debris and sand, and leave the regular filter bag for larger debris such as leaves.

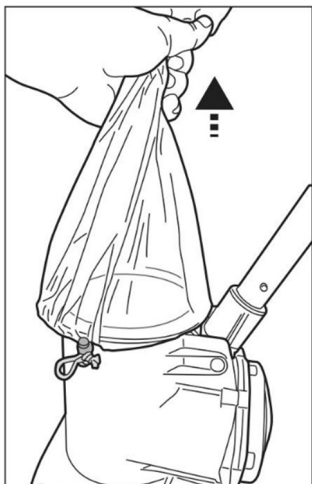


Spread the filter bag over the top opening of the main body of the pool vacuum. Make sure the cord of the bag is placed under the flange of the top opening.



While holding the cord, press on the cord fastener and push it under the flange.

TIPS: To secure the filter bag, when pushing the cord fastener under the flange, pull one cord instead of two cords as shown in diagram.



Lift up the bag to ensure it is totally secured before deploying the pool vacuum into water.

Silt Filter Bag Assembly

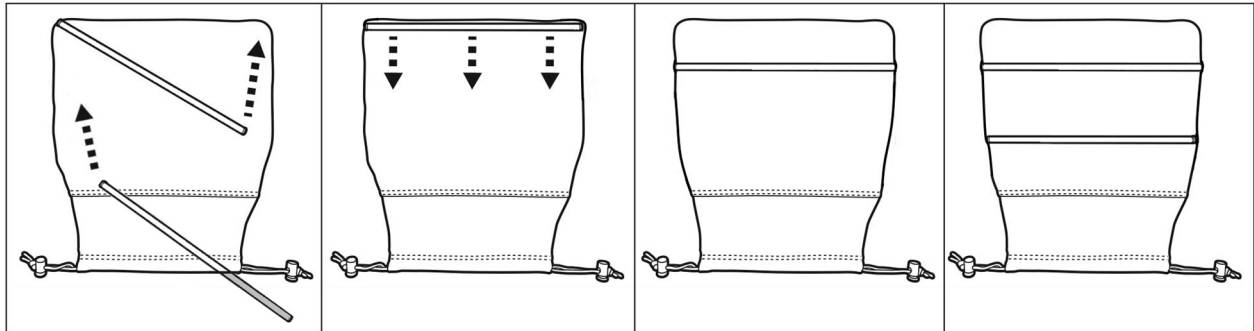
Note: the silt filter bag is designed to capture finer particles such as silt.

The assembly of the silt filter bag is going to require the installation of the 2 rods, which are used to reduce the amount of water kept in the bag during retrieval and to facilitate the movement of the cleaner at the pool bottom.

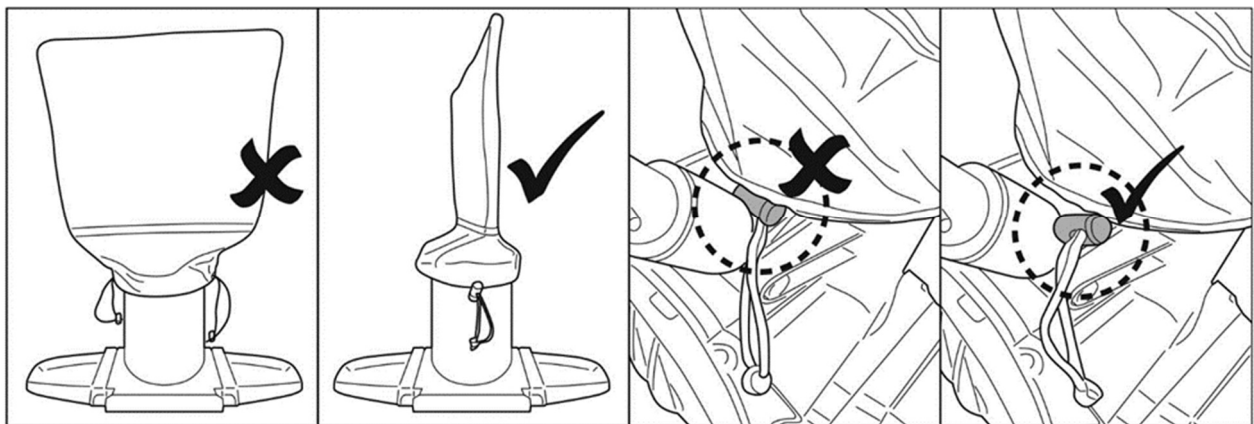
The 2 rods are of different lengths. Firstly, place the longest one inside the bag and align it to the bottom of the bag. Keep the rod level and pull it downward until it is jammed, then give it a little tug to ensure it is secured in position.

Similarly, insert the shorter rod and keep it level, then pull it downward until it is jammed and secured, as shown in the diagram below.

Note: make sure the 2 rods are firmly secured inside the filter bag before immersing the vacuum into the pool to prevent them from dropping and jamming the impeller during operation.



Attach the silt filter bag on its narrow side and facing the front to the top opening of the main body of the vacuum. Ensure the filter bag is wrapped entirely over the flange of the top opening and the cord fastener is not obstructing the movement of the handle (see below diagram).

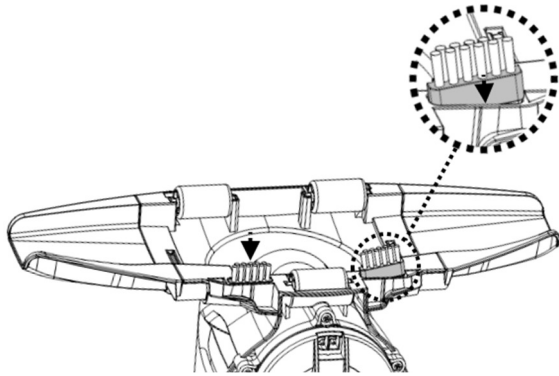


Refer to previous instructions of assembling the regular filter to secure the 2 cord fasteners on the bag. Fasten one end of the cord fastener before the other. Finally, lift up the bag to ensure the silt bag is totally secured before deploying the pool vacuum into water.

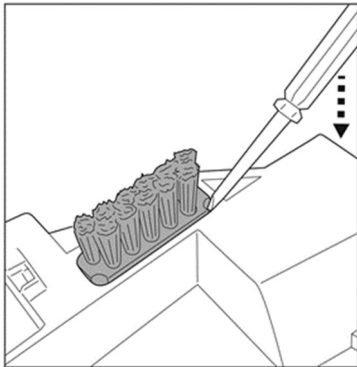
Note: the finer the filtration bag, the faster it will get clogged. Debris will be returned to the pool due to high counter-pressure caused by the clogged bag. If the pool vacuum does not pick up or starts leaking captured debris, clean the filter bag inside and out. Refer to the section “**EMPTYING THE FILTER BAG**” to clean the bag.

Brush assembly

Align and insert all brushes into the notches at the underside of the pool vacuum.



To detach the brush, insert the tip of a small screwdriver into the corner notch and pry up the brush.

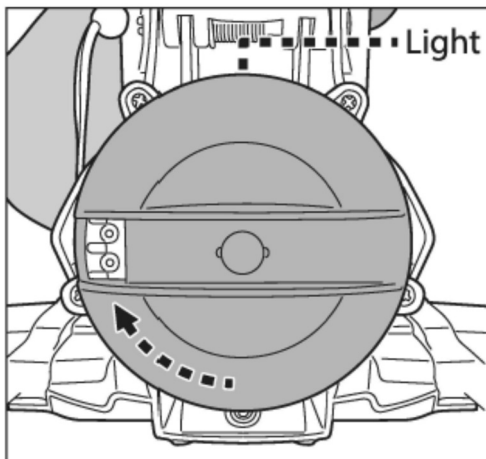


Pool Preparation

- If the liner is brittle, damaged, or wrinkled, contact a qualified professional to perform the necessary repairs or perform a liner replacement prior to using the pool vacuum.
- If you are using a saltwater pool, make sure all salt are dissolved before placing the pool vacuum into the water.

OPERATION

- 1) Bring your pool vacuum to the side of your pool. Turn the switching knob clockwise until it clicks to expose the water sensors. The light at the top will turn blue. Immerse the pool vacuum into water, the light turns immediately to green and the impeller will start to turn after 4-5 seconds.

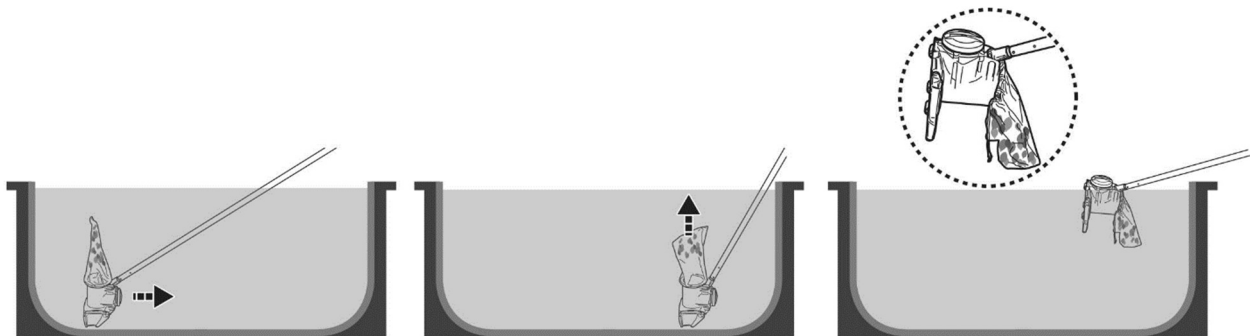


Light Color	
Blue	Power On (ready for operation)
Blue – Flash	Battery level is running low
Green	In operation
Green -Flash	Battery level is running low.
Green light Off	Battery depleted (need to be recharged)
Red	Impeller stops (impeller clogged).

To effectively vacuum up debris, ensure the pool vacuum is laid flat on the pool floor as you steer it back and forth in regular motion over debris patches for collection. Debris is collected from the front, side and back to fill up the filter bag.

Excess dirt and debris in the pool could clog the impeller, which would automatically stop to protect the motor, and the indicator light would turn red. Remove the vacuum from the pool and turn it off prior to unclogging and emptying the filter bag if it is full. To resume operation, turn the switching knob anticlockwise until Power Off is selected, then turn it clockwise to select Power On.

- 2) To retrieve the pool vacuum, bring it poolside and flip it upside down before lifting. This is done to prevent debris from scattering back into the pool (especially if you are using the fine filter bag) and avoid bending the pole in the process.



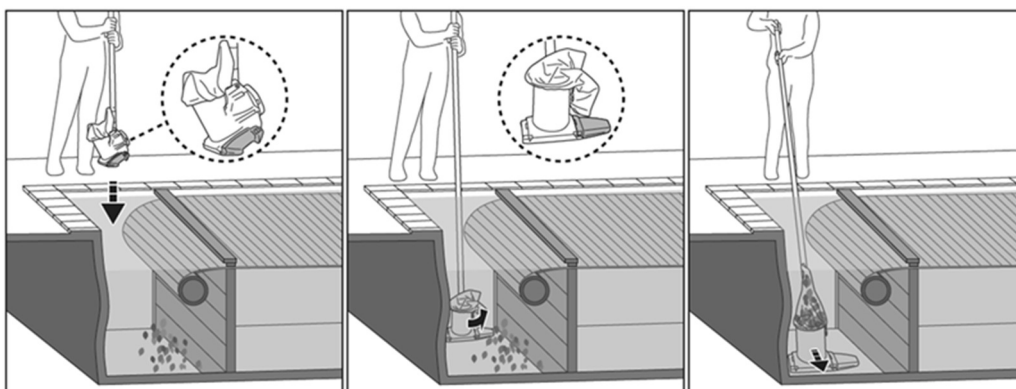
Once the pool vacuum is out of the water, the impeller will cease to spin within 2-3 seconds. The LED light will turn blue. When battery level is running low, blue light will flash.

- 3) Rinse the pool vacuum with fresh water after every use. DO NOT use any aggressive detergent.
- 4) Dry the charging port and pins thoroughly (TIPS: Use cotton bud to dry them).

Vacuuming the Sunken Compartment of an Automatic Slatted Cover

WARNING! Pay attention to all safety warnings in the manual of your automatic slatted cover concerning this cleaning operation beforehand.

- The minimum distance required for the immersion of the vacuum into the sunken compartment is 30cm (12in)



- Remove the duckboard and unroll the pool slat according to instructions from your pool cover manual.
- Detach one extension of the vacuum cleaner before immersing it into the pool.
- Attach a telescopic pole (not provided) to the pool vacuum handle as instructed in the manual.
- Power on the vacuum then align it as shown in the image above before immersion.
- Once the cleaner reaches the pool floor, parallel it to the pool length as shown above and start vacuuming the sunken compartment.

EMPTYING THE FILTER BAG

CAUTION! Make sure the pool vacuum is OFF before cleaning the filter bag. Place the cleaner on a flat surface. Press on the cord fastener to release the bag from the main body. It is recommended to clean the filter bag with splashing water. If brushing is deemed necessary, use only a soft brush to clean it carefully and gently to avoid any damages.

MAINTENANCE & STORAGE

NOTE:

1. Be sure to clean and dry the areas around the charging port and water sensors after every use to avoid the forming of stains (byproduct of a natural chemical reaction between electric current and water). Otherwise, the stains can be removed by light scrubbing with a cotton bud soaked with juice of lemon or vinegar.
2. Battery discharges on its own during storage. Make sure to charge the pool vacuum to about 30% to 50% of the battery capacity before it is stored.
3. You must recharge the battery at least once every three months when it is not in use.
 - Unplug the external adaptor from the socket and the charging cable from the charging plug.
 - Detach accessories from the pool vacuum. If necessary, rinse the pool vacuum and accessories with fresh water. DO NOT use aggressive detergent.
 - Be sure to dry the pool vacuum before storage.
 - Use a damp cloth to clean and dry the pool vacuum and its accessories.
 - Store them in a well-ventilated area away from sunlight, heat, ignition sources, pool chemicals, and from children. Ambient temperature for storage should be 10°C – 25°C (50°F – 77°F). NOTE: A higher storage temperature may reduce the battery life.

WARNING!

Under no circumstances should you attempt to disassemble the main unit and replace the impeller, motor, and battery by yourself.

CAUTION!

- Excessive heat can damage the battery and reduce the lifespan of your pool vacuum as a result.
- Consult your dealer regarding battery replacement if the following happens:
 - Battery does not charge fully.
 - Battery operation time is noticeably reduced. Observe and record the run times of the first few operations (on a full charge). Use these run times as a reference point for comparison with run times in the future.

- The battery must be removed from the pool vacuum before it is scrapped.
- The battery is to be disposed safely in accordance with local ordinances or regulations.

NOTE: Incorrect maintenance may reduce the battery life and affect its capacity as a result.

BATTERY DISPOSAL (To be carried out by authorized technician)

Your pool vacuum is equipped with a maintenance-free rechargeable lithium-ion battery pack, which must be disposed of properly. Recycling is required; please contact your local authority for more information.

WARNING! Never attempt to disassemble a battery pack

- Remove all personal items such as rings, bracelets, necklaces, and watches when the battery pack is unwired from the pool vacuum.
- A battery can produce a short circuit current high enough to weld a ring (or similar item) to metal, causing a severe burn in the process.
- Wear complete eye protection, gloves, and protective clothing when the battery pack is being removed.
- Avoid touching the wires altogether and avoid contact between them and any metal items, which could cause sparking and/or short circuit the battery.
- Never smoke or allow a spark or flame in the vicinity of the battery or the pool vacuum.
- Do not expose the battery to fire or intense heat as this may result in an explosion.

CAUTION!

If a battery leak occurs, avoid any contact with the leaking fluids and place the damaged battery in a plastic bag.

- If leaking fluids come in contact with skin and clothing, wash immediately with plenty of soap and water.
- If leaking fluids come in contact with eyes, do not rub them and immediately flush them with cool running water for at least 15 minutes. Seek medical attention as soon as possible.

How to remove the battery pack(To be carried out by authorized technician)

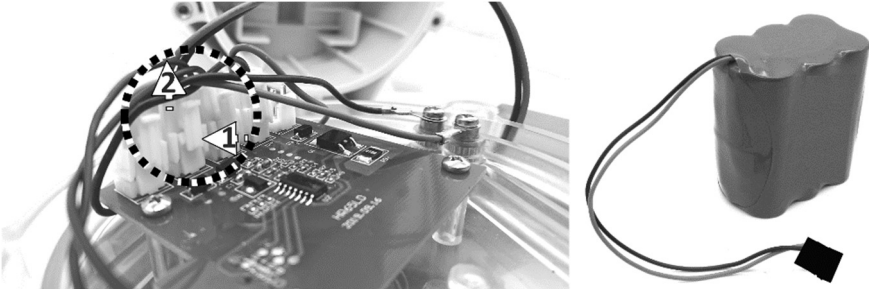
Recommended tools (not included): Screwdriver.

WARNING! The pool vacuum must be disconnected from the supply mains before removing the battery pack.



1. Place the pool vacuum on a flat surface. Use the screwdriver to unfasten the screws on the back cover. Remove the battery from the chamber.



2. To detach the battery connection wire, press on the clip of the connector to pull it out. NOTE: Wrap the connector immediately with insulating tape in order to avoid any short circuit caused by the contact of both wire terminals.



TROUBLESHOOTING

Problem	Possible Cause	Solution
Cleaner does not start working under water (after 5-10 seconds)	Stained water sensors	The stains can be removed by using a cotton bud soaked with juice of lemon or vinegar to clean the areas around the water sensors.
	Out of battery	Charge the pool vacuum.
	Jammed by the rod from the silt filter bag	Remove the pool vacuum from the pool and turn it off. Reinstall the rod to the bag and make sure it is secured in position.
Does not capture the debris / debris is leaked into the pool	Low battery	Charge the pool vacuum.
	Jammed impeller	Remove the pool vacuum from the water and turn the knob anticlockwise to shut it off. Check and see if the impeller is jammed by large debris. Remove the debris. If necessary, contact your dealer for further instructions. WARNING! Make sure the pool vacuum is off before the unit is serviced.
	Jammed by the rod from the silt filter bag	Remove the pool vacuum from the pool and turn it off. Reinstall the rod to the bag and make sure it is secured in position.
	Broken impeller	Contact your dealer for replacement.
	Filter bag is full / clogged	Clean the filter bag.
Charging time is longer than advertised	Stained charging pins	The stains can be removed by using a cotton bud soaked with juice of lemon or vinegar to clean the areas around the charging pins.
Cleaner cannot be charged	Damaged battery	Contact dealer for battery replacement. WARNING! DO NOT replace the battery by yourself. This could result in severe or fatal injuries and the warranty will be voided as a result.
	Charging plug is not correctly connected to external adaptor and pool vacuum	Refer to instruction manual and connect the charging accessories correctly.
	External adaptor is out of order	Contact dealer for replacement. WARNING! Using the wrong external adaptor will result in damaging the pool vacuum / battery and voiding the warranty as a result.
Environmental Programmes, WEEE European Directive		
	Please respect the European Union regulations and help to protect the environment. Return non-working electrical equipment to a facility appointed by your municipality that properly recycles electrical and electronic equipment. Do not dispose them in unsorted waste bins. For items containing removable batteries, remove batteries before disposing of the product.	
	© 2020 Kokido Development Ltd. 20009015 All rights reserved. No part of this document may be reproduced or transmitted in any form or by any means, electronic, mechanical, photocopying, recording, or otherwise, without prior written permission of Kokido Development Ltd. (V1)	

If soft copy of this instruction manual is required, please contact our customer service by email: customerservice@kokido.com

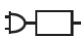
SAVE THESE INSTRUCTIONS

AVERTISSEMENTS DE SÉCURITÉ ET INSTRUCTIONS

Les informations contenues dans ce manuel d'instructions vous permettront d'utiliser l'appareil en toute sécurité, à vous protéger ainsi que les autres et à éviter d'endommager l'appareil ou d'autres biens.

CONSERVEZ CES INSTRUCTIONS

AVERTISSEMENT !

- Ceci n'est pas un JOUET. Cet aspirateur de piscine et ses accessoires doivent être maintenus hors de la portée des enfants.
- Ne jamais permettre aux enfants de faire fonctionner ce produit.
- Ce dispositif n'est pas destiné à être utilisé par des personnes ayant des capacités physiques, sensorielles ou mentales diminuées, ou un manque d'expérience et de connaissances, sauf si elles sont sous supervision ou ont reçu des instructions concernant l'utilisation sûre de l'appareil par une personne responsable de leur sécurité.
- Les enfants ne doivent pas jouer avec ce produit.
- Le nettoyage et l'entretien du produit ne doivent pas être effectués par des enfants.
- S'assurer que l'aspirateur de piscine est totalement immergé dans l'eau avant de le mettre en marche. L'appareil doit être complètement immergé dans l'eau afin de fonctionner correctement. Faire fonctionner l'aspirateur de piscine lorsqu'il n'est pas immergé correctement dans l'eau peut endommager l'unité et annuler de ce fait la garantie.
- La profondeur maximale de fonctionnement dans l'eau est de 3 mètres (10 pieds).
- Température minimale et maximale de l'eau : 5°C – 35°C.
- Pour recharger la batterie, utilisez uniquement l'unité d'alimentation amovible (adaptateur externe) fournie avec ce produit.
-  unité d'alimentation amovible (adaptateur externe).
- L'aspirateur de piscine ne doit être rechargé qu'avec l'adaptateur externe et la prise de charge livrés avec ce produit.
- À l'effet de recharger la batterie, utiliser seulement l'unité d'alimentation amovible (modèle adaptateur externe : DSS12D-1351000-B / DSS12D-1351000-C / DSS12D-1351000-D/ LX135100U) qui est fourni avec cet aspirateur de piscine pour charger la batterie.
- Connecter le transformateur à une source d'alimentation par l'intermédiaire d'un dispositif à courant différentiel résiduel (DDR) ou d'un disjoncteur de fuite à la terre (GFCI). En cas de doute, consultez un électricien professionnel qualifié.
- Ne pas utiliser cet aspirateur de piscine si un dommage quelconque est détecté.
- Remplacer les pièces endommagées avec des pièces certifiées par le distributeur ou le fabricant.
- Mettre hors tension, débrancher l'adaptateur externe de la source

- d'alimentation, et débrancher l'adaptateur externe de la prise de chargement avant de séparer l'aspirateur de piscine de la prise de chargement.
- Débrancher l'aspirateur de piscine de l'alimentation principale avant de réaliser la maintenance d'utilisateur telle que le nettoyage du filtre.
 - Ne remplacez pas la batterie rechargeable Li-ion préinstallée.
 - NE PAS manipuler l'aspirateur de piscine, l'adaptateur externe ou la prise de charge lors de la recharge avec des membres humides et sans chaussures.
 - Vous ne devez pas utiliser cet aspirateur de piscine lorsque des personnes / animaux domestiques sont présents dans l'eau.
 - NE PAS utiliser cet aspirateur de piscine sans un sac de filtration intact en place, car votre garantie serait annulée de ce fait.
 - Danger de piégeage de l'aspiration : Cet aspirateur de piscine produit une aspiration. Ne pas permettre que les cheveux, le corps, ou toutes parties lâches de vos vêtements entrent en contact avec l'orifice d'aspiration de l'aspirateur de piscine pendant son fonctionnement.
 - NE JAMAIS introduire des parties du corps, vêtements ou autres objets dans les ouvertures et pièces mobiles de l'aspirateur de piscine.
 - NE PAS utiliser ce aspirateur de piscine pour ramasser des substances toxiques, inflammables ou liquide combustibles (comme de l'essence), ni en présence de vapeurs explosives ou inflammables.
 - Ne jamais tenter de démonter d'une quelconque façon cet aspirateur de piscine afin de remplacer vous-même la turbine, le moteur ou la batterie.
 - Ne jamais introduire les doigts ou un quelconque objet qui toucherait la turbine.
 - La batterie intégrée doit être retirée par un technicien qualifié avant d'être mise au rebut.
 - Ce aspirateur de piscine contient une batterie qui ne peut être retirée que par des personnes qualifiées.
 - Le aspirateur de piscine doit être déconnecté du réseau d'alimentation lors du retrait de la batterie..
 - Pour plus de détails sur la mise en rebut la batterie veuillez vous reporter à la section "MISE AU REBUT DE LA BATTERIE" de ce manuel et contactez les autorités locales pour plus d'informations.
 - La batterie doit être détruite en toute sécurité conformément aux réglementations locales.
 - Adaptateur externe et prise de charge :
 - Ne jamais utiliser l'adaptateur externe et la prise de charge pour tout autre chose que le chargement de la batterie de l'aspirateur de piscine qui est fournie dans le même bloc.
 - L'adaptateur externe et la prise de charge ne doivent pas être utilisés à l'extérieur, ni exposés à la pluie, à l'humidité, à un quelconque liquide ou à la chaleur.
 - Le transformateur (ou l'adaptateur externe) doit être situé en dehors de la zone 1.

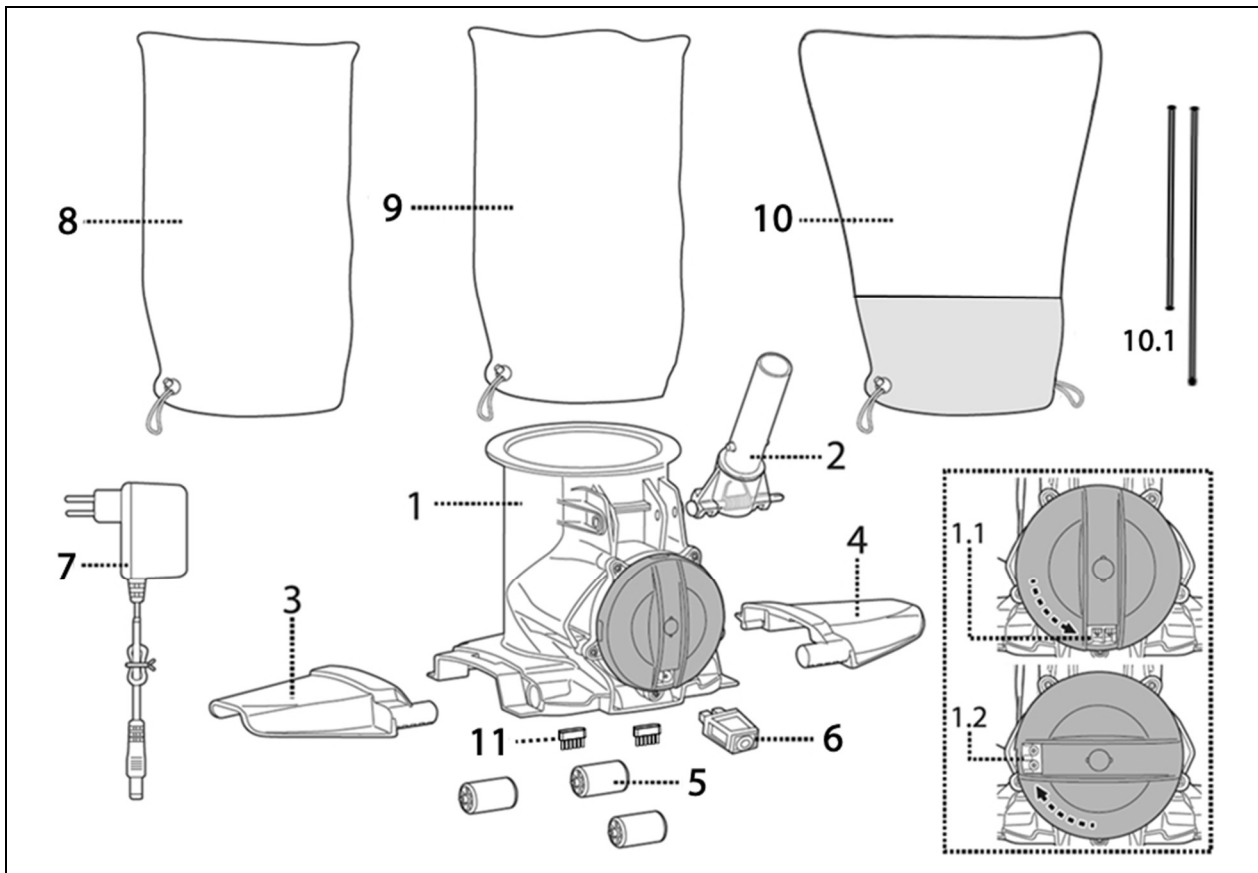
- Maintenir l'adaptateur externe et la prise de charge hors de la portée des enfants.
- Ne jamais utiliser l'adaptateur externe et la prise de charge si un quelconque dommage est détecté.
- NE PAS manipuler l'adaptateur externe et la prise de charge avec des mains humides.
- Gardez l'adaptateur externe déconnecté de l'alimentation lorsqu'il n'est pas cour d'utilisation.
- Ne jamais tenter d'ouvrir l'adaptateur externe et la prise de chargement.
- Si le cordon d'alimentation de l'adaptateur externe est endommagé, cet adaptateur externe doit être remplacé par le fabricant ou son agent de service pour empêcher des dangers de toute nature.
- S'assurer que l'aspirateur de piscine et la prise de chargement sont complètement secs avant de charger.

MISE EN GARDE !

- Cet aspirateur de piscine est uniquement conçu pour une utilisation sous l'eau ; il ne s'agit pas d'un aspirateur tout usage. NE PAS tenter de l'utiliser pour nettoyer tout autre chose que votre piscine.
- Utiliser uniquement les accessoires originaux livrés avec ce produit.
- Ne pas utiliser cet aspirateur de piscine juste après le nettoyage chimique de la piscine. Il est recommandé de laisser circuler l'eau dans la piscine durant au moins 24-48 heures.
- Si vous prévoyez d'utiliser l'aspirateur dans une piscine d'eau salée, assurez-vous que tout le sel est dissous avant de le placer dans l'eau.
- Ne pas utiliser cet aspirateur de piscine avec un autre aspirateur / nettoyeur électrique simultanément..
- Éviter de ramasser des objets durs ou pointus avec ce produit. Ils peuvent endommager l'aspirateur de piscine et le filtre.
- Pour éviter d'endommager l'adaptateur externe et la prise de charge, ne pas transporter l'aspirateur de piscine par le câble de l'adaptateur externe et ne pas tirer sur le câble pour le débrancher de la source d'alimentation et de la prise de charge.
- Charger l'aspirateur de piscine à l'intérieur dans une zone propre et sèche avec une bonne aération et à l'abri du soleil.
- NE PAS laisser l'aspirateur de piscine chargé pendant plus de 10 heures.
- Si l'aspirateur de piscine n'est pas utilisé pendant une longue période de temps, le séparer de la prise de charge et utiliser un chiffon humide pour nettoyer et sécher l'aspirateur de piscine et ses accessoires. S'assurer de charger l'aspirateur de piscine à 30% - 50% de sa capacité avant de le ranger. Le ranger dans une zone bien aérée éloignée de la lumière du soleil, de la chaleur, de sources d'ignition, des produits chimiques pour la piscine et des enfants. Ne jamais laisser l'aspirateur de piscine branché pour un stockage à long terme. Recharger l'aspirateur de piscine tous les trois mois.
- Toutes les actions concernant le démontage de l'unité principale (c'est-à-dire élimination de la batterie) ne peuvent être effectuées que par un technicien agréé.

Les avertissements et mises en garde ci-dessus ne prétendent pas inclure tous les possibles cas de risques et / ou de blessures graves. Les propriétaires de piscine / spas doivent toujours prendre des précautions supplémentaires et utiliser leur bon sens lorsqu'ils utilisent le produit.

FONCTIONNEMENT DE L'ASPIRATEUR DE PISCINE



		Numéro de pièce détachée			Numéro de pièce détachée
1.	Unité principale	Modèle EV90: - EV90ASM04 EV90ASM04/US	6.	Prise de charge	EV90-09
		Modèle EV91: - EV91ASM04 EV91ASM04/US	7.	Adaptateur	EV90-08-002 (EU) EV90-08-002/US(USA) EV90-08-002/AU (Australie/Nouvelle-Zélande)
		Modèle EV95: - EV95ASM04 EV95ASM04/US			
1.1.	Port de charge (avec 2 broches de charge pour la charge)	-----	8.	Sac de filtration standard x 1	EV90-06-001
1.2.	Capteurs d'eau	-----	9.	Sac de filtration fine (pour filtrer les particules fines) x 1	EV90-06-002
2.	Poignée / Connecteur pour manche télescopique (avec connecteur et ressort)	EV90ASM01	10.	Sac filtre limon	EV95-06-001 (inclus uniquement dans le modèle EV95)
			10.1.	Tiges de support	
3.	Extension gauche	EV90ASM02	11.	Brosse x 2	EV90-10 (inclus uniquement dans le modèle EV91 / EV95)
4.	Extension droite				
5.	Roue x 3				

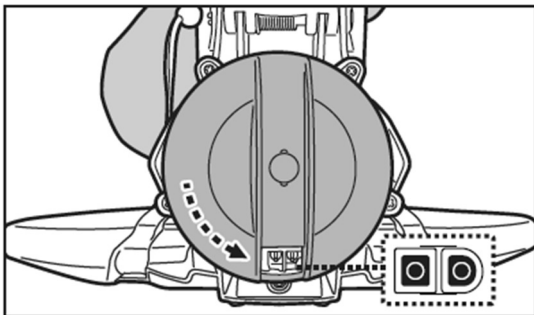
DÉBUT DES OPÉRATIONS

Chargement de la batterie

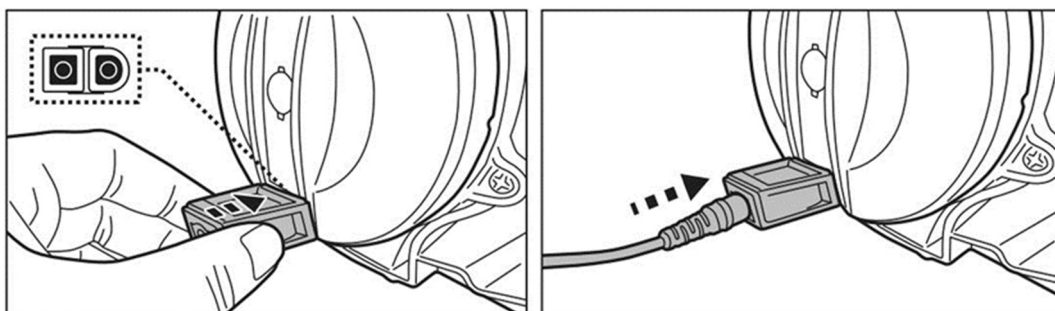
NOTE IMPORTANTE : Charger complètement l'aspirateur de piscine (environ 6 heures) avant la première utilisation.

AVERTISSEMENT !

- Utiliser uniquement le transformateur et la prise de charge fournis.
 - Assurez-vous que le aspirateur de piscine et le port de charge soient propres et secs avant la charge. (CONSEILS: utilisez un coton-tige pour le sécher ainsi que les broches de charge)
 - Les broches de chargement sont étanches. Cependant, l'eau stagnante dans le port et autour des broches pourraient entraîner l'apparition naturelle de taches (un sous-produit de la réaction chimique entre l'eau et les courants électriques). Les taches peuvent être éliminées en frottant légèrement avec un coton-tige imbibé de jus de citron ou de vinaigre.
1. Placez l'appareil sur une surface plane. Réglez l'appareil en mode hors tension / en mode de charge en tournant le bouton dans le sens inverse des aiguilles d'une montre jusqu'à ce qu'il s'enclenche et expose complètement le port de charge.



2. Aligned et fixez la prise de charge au port de charge. **AVERTISSEMENT !** Veillez à ne pas inverser la prise de charge et assurez-vous que la prise de charge et le port de charge soient propres et secs avant de les brancher. Conseils: Pour sécher le port de charge et les broches, utilisez du coton-tige. Branchez le câble de charge de l'adaptateur externe dans la prise de charge.



3. Connectez l'adaptateur externe à la source d'alimentation. Le voyant de l'adaptateur externe devient rouge lorsque l'aspirateur est en charge et vert lorsqu'il est complètement chargé. Chargez-le pendant 5-6 heures pour de meilleures performances.



- Déconnectez immédiatement l'adaptateur externe de la source d'alimentation si vous observez l'un des éléments suivants :
 - Mauvaise ou inhabituelle odeur
 - Chaleur excessive
 - Déformation, fissures, fuites
 - Fumée
4. Une fois la charge terminée, débranchez l'adaptateur externe de la source d'alimentation et débranchez le câble de charge de la prise de charge. Retirez la prise de charge de l'unité principale. **AVERTISSEMENT !** Ne laissez jamais la prise de charge lorsque l'aspirateur est dans l'eau.

Normalement, l'aspirateur de piscine est conçu pour fonctionner jusqu'à 75 minutes à charge pleine.

Remarque : Videz régulièrement le sac de filtration. Des débris excessifs peuvent empêcher le moteur de fonctionner correctement et raccourcir la durée de fonctionnement.

REMARQUE : la batterie lithium-ion rechargeable est classée comme une marchandise consommable. Elle a une durée de vie limitée et perdra progressivement sa capacité de charge. Par conséquent, le temps de fonctionnement de l'aspirateur de piscine diminuera progressivement après des charges et décharges répétées tout au long de sa durée de vie.

Une fois que la durée de vie de la batterie arrive à son terme, reportez-vous à la section «ÉLIMINATION DES BATTERIES» pour les instructions concernant l'élimination de la batterie.

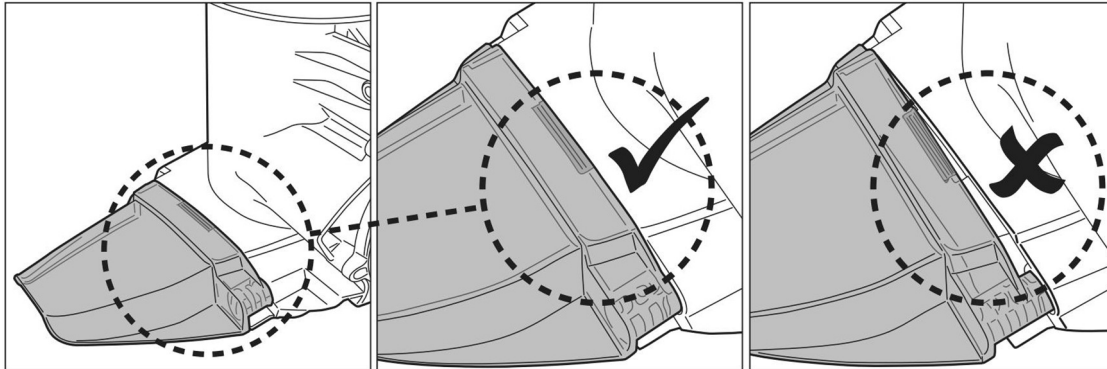
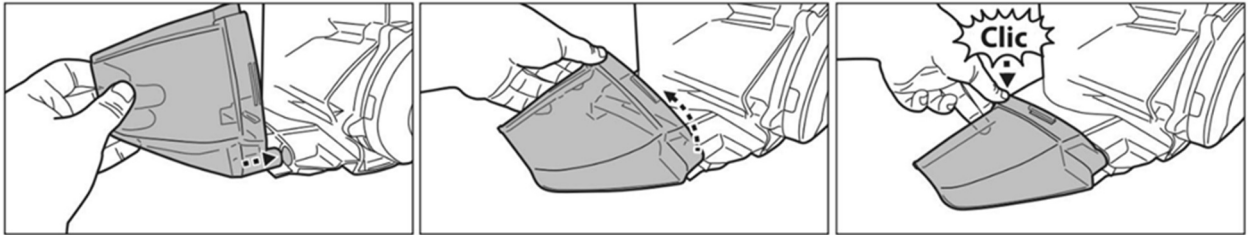
REMARQUE : Ne mettez pas en marche l'aspirateur pendant environ 30 à 40 minutes avant de le recharger.

Réglage avant l'utilisation

Cet aspirateur de piscine a des extensions amovibles qui peuvent être retirées pour nettoyer les zones étroites.

Assemblage des extensions latérales

Insérez la tige de l'extension dans le trou sur le côté du corps principal. Tournez l'extension et appuyez dessus pour la fixer au corps principal. Vous entendrez un « clic ».

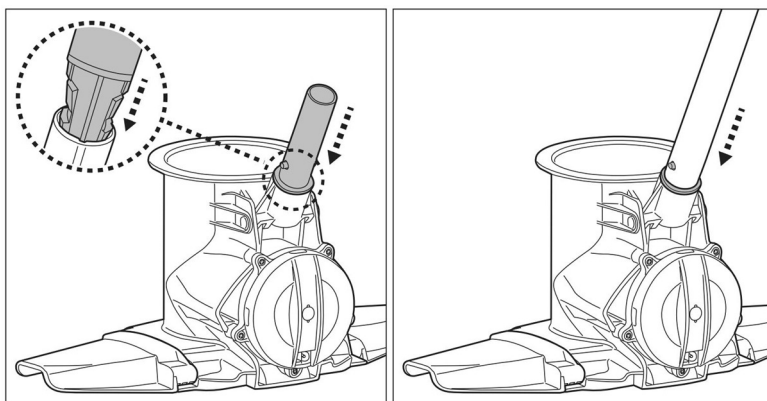


Démontage des extensions latérales

Inversez les étapes pour démonter les extensions de l'unité principale.

Assemblage de la poignée / connecteur pour manche télescopique

Alignez et insérez la poignée / le connecteur pour manche dans le montant comme indiqué. Faites glisser le manche télescopique dans le connecteur de manche jusqu'à ce que les trous sur le côté du manche télescopique soient fixés aux broches du connecteur de manche.



Ensemble sacs filtres ordinaires et fins

Note : utiliser le sac filtre fin si votre piscine est pleine de débris fins et de sable et réserver le sac filtre ordinaire pour des plus gros débris tels que les feuilles.

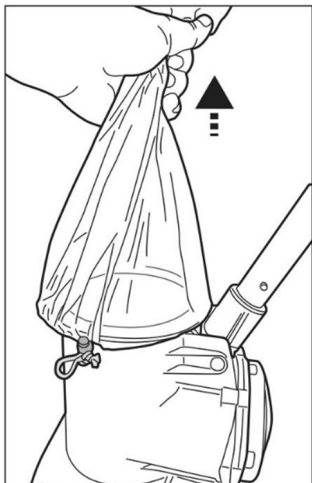


Disposer le sac de filtration sur l'ouverture du haut du corps principal de l'aspirateur. Assurez-vous que le cordon du sac soit placé sous la bride de l'ouverture.



Appuyez sur l'attache du cordon et puis tirez sur le cordon en le poussant sous la bride.

Conseil : Pour fixer le sac filtrant, lorsque vous poussez l'attache du cordon sous la bride, tirez sur un seul cordon des deux cordons comme indiqué sur le schéma.



Soulevez le sac pour vous assurer qu'il est totalement attaché avant de déployer l'aspirateur de piscine dans l'eau.

Ensemble sacs filtres à limon

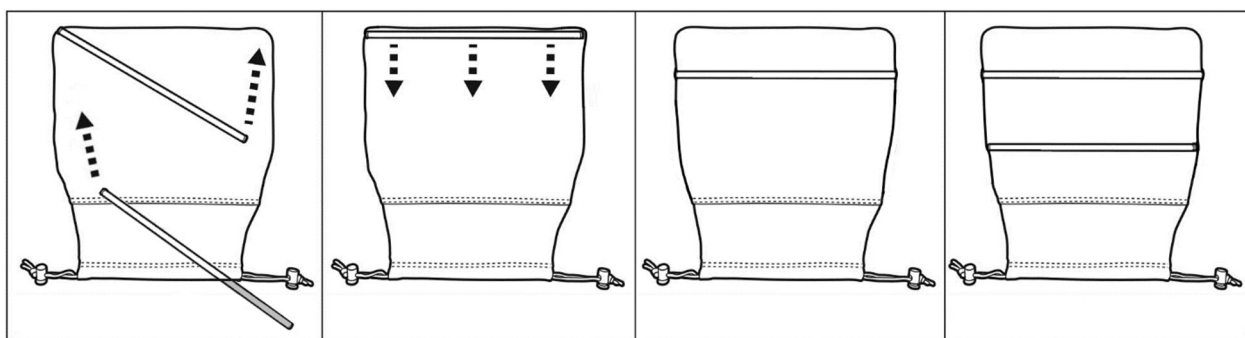
Note : le sac filtre à limon est conçu pour capturer les particules les plus fines telles que le limon.

L'ensemble du sac filtre à limon nécessitera l'installation de 2 tiges, qui sont utilisées pour réduire la quantité d'eau retenue dans le sac pendant l'extraction et pour faciliter le mouvement du nettoyeur au fond de la piscine.

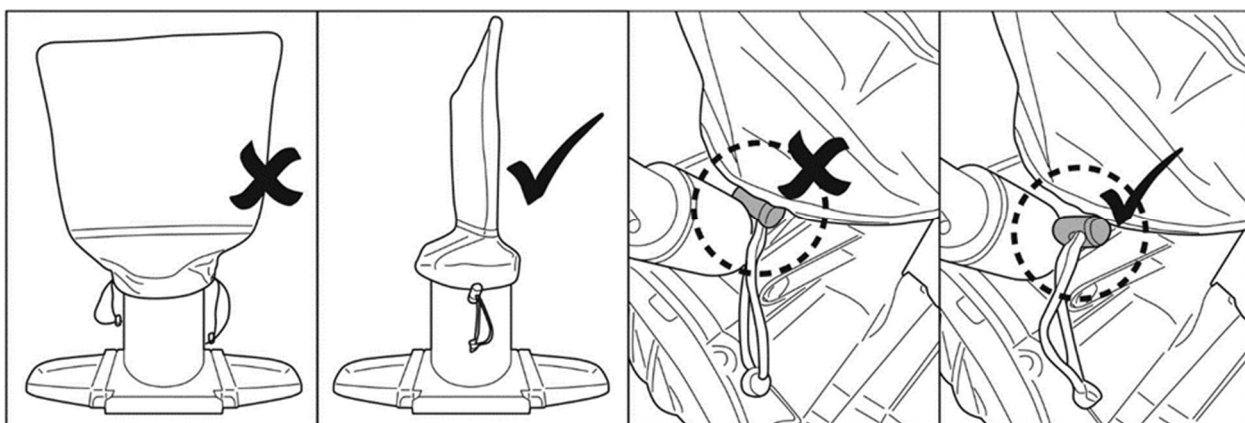
Les 2 tiges ont des longueurs différentes. Tout d'abord, placer la plus longue dans le sac et l'aligner au fond du sac. Maintenir le niveau de la tige et la tirer vers le bas jusqu'à ce qu'elle soit coincée, la tirer ensuite un petit peu pour s'assurer qu'elle se trouve dans une position fixe.

D'une façon similaire, introduire la tige la plus courte et la maintenir nivelée, ensuite la tirer vers le bas jusqu'à ce qu'elle soit coincée et assurée, comme montré sur le diagramme ci-après.

Note : s'assurer que les 2 tiges sont fermement assurées à l'intérieur du sac filtre avant d'immerger l'aspirateur dans la piscine pour les empêcher de tomber et de coincer le rotor pendant l'opération.



Fixer le sac filtre à limon sur son côté le plus étroit et faisant face à la partie avant de l'ouverture supérieure de l'aspirateur. S'assurer que le sac filtre est totalement enroulé sur le rebord de l'ouverture supérieure et que l'attache du cordon n'obstrue pas le mouvement de la poignée (voir diagramme ci-après).



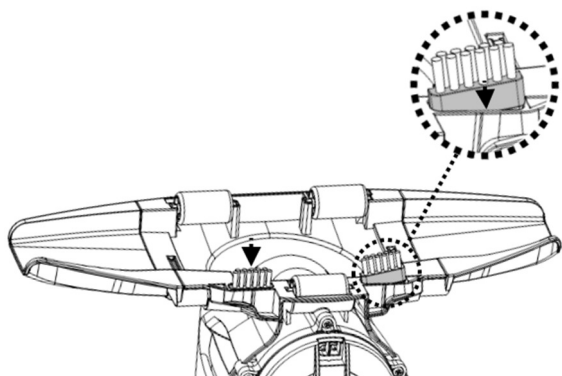
Consulter les instructions préalables pour le montage du filtre ordinaire pour assurer les 2 attaches du cordon sur le sac. Fixer une extrémité de l'attache du cordon avant l'autre. Finalement, soulever le sac pour s'assurer que le sac à limon est totalement fixé avant de déployer l'aspirateur de piscine dans l'eau.

Note : plus le sac de filtration est fin, plus vite il sera obstrué. Les débris seront retournés à la piscine en raison de la contre-pression élevée causée par le sac obstrué.

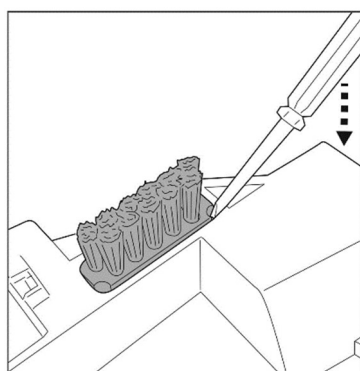
Si l'aspirateur de piscine ne récupère rien ou commence à perdre les débris captés, nettoyer le sac filtre à l'intérieur et à l'extérieur. Consulter la section « **VIDER LE SAC FILTRE** » pour nettoyer le sac.

Ensemble brosse

Aligner et introduire toutes les brosses dans les encoches sur la face inférieure de l'aspirateur de piscine.



Pour séparer la brosse, introduire la pointe d'un petit tournevis dans l'encoche en coin et soulever la brosse.

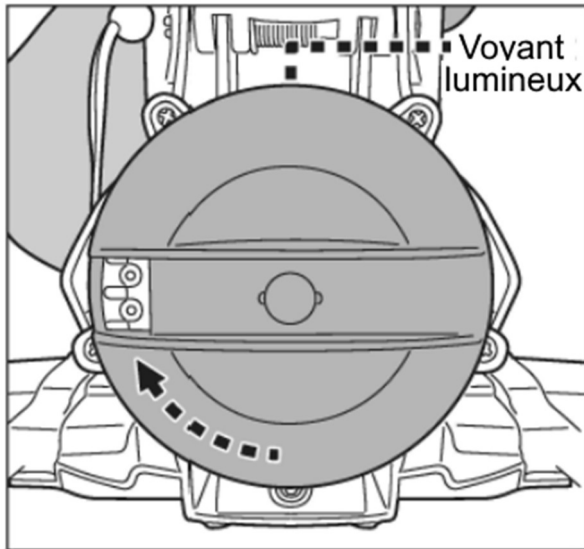


Préparation de la piscine

- Si le liner est cassant, endommagé ou froissé, contactez un professionnel qualifié pour effectuer les réparations nécessaires ou effectuer un remplacement du liner avant d'utiliser l'aspirateur de piscine.
- Si vous utilisez une piscine d'eau salée, assurez-vous que tout le sel soit dissous avant de placer l'aspirateur de piscine dans l'eau.

FONCTIONNEMENT

- 1) Mettre votre aspirateur de piscine sur le côté de votre piscine. Tournez le bouton dans le sens des aiguilles d'une montre jusqu'à ce qu'il « click », cela exposera les capteurs d'eau. Le voyant deviendra bleu. Plongez le dans l'eau, la lumière deviendra immédiatement verte et la turbine commencera à tourner après 4-5 secondes.



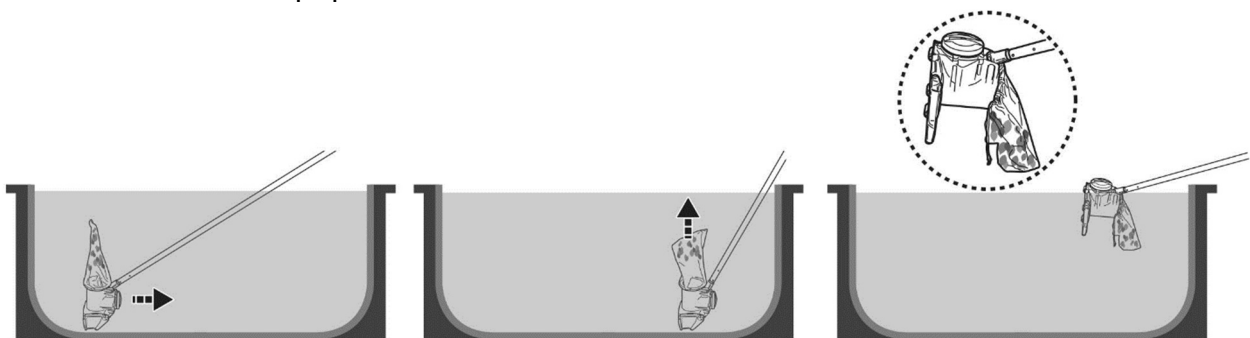
Couleur du voyant	
Bleu	Mise sous tension (prêt à l'emploi)
Bleu-clignotement	Le niveau de la batterie est faible.
Vert	En marche
Vert-clignotement	Le niveau de la batterie est faible.
Voyant vert éteint	Batterie épuisée (à recharger)
Rouge	Turbine arrêtée (turbine bloquée)

Placez l'aspirateur de piscine à plat sur le sol de la piscine. Déplacez-le en direction des débris avec des mouvements réguliers, cela aspirera les débris par le bas, ils seront collectés dans le sac d'aspiration.

De trop de gros débris/saleté, peuvent bloquer la turbine, qui s'arrêtera automatiquement pour protéger le moteur, le voyant lumineux deviendra rouge.

Retirez l'aspirateur de la piscine et éteignez-le avant de le déboucher et de vider le sac filtrant si celui-ci est plein. Pour reprendre l'opération, tournez le bouton dans le sens inverse des aiguilles d'une montre jusqu'à ce qu'il clique sur « arrêt », puis tournez-le à nouveau dans le sens des aiguilles d'une montre sur « marche ».

- 2) Pour récupérer l'aspirateur de la piscine, amenez-le au bord de la piscine et retourner-le à l'envers avant de le soulever. Ceci permettra aux débris de ne pas se disperser dans la piscine (surtout si vous utilisez le sac de filtration fine) et pour éviter de tordre le manche télescopique.



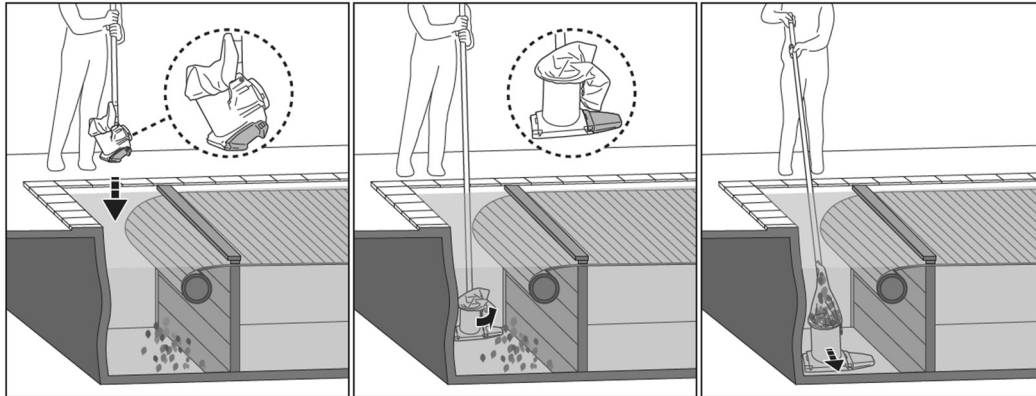
Une fois l'aspirateur hors de l'eau, la turbine cessera de tourner en 2-3 secondes. Le voyant LED deviendra bleu. Si le niveau de la batterie est faible, le voyant bleue clignote.

- 3) Rincez l'aspirateur de la piscine avec de l'eau douce après chaque utilisation. N'utiliser PAS de détergent agressif.
- 4) Séchez soigneusement le port de charge et les broches (Conseil : utilisez un coton-tige pour les sécher).

Passer l'aspirateur dans le compartiment submergé de votre couverture à lattes automatique

AVERTISSEMENT! Prêtez attention à tous les avertissements de sécurité dans le manuel de votre couverture à lattes automatique concernant avant cette opération de nettoyage.

- La distance minimale requise pour l'immersion du vide dans le compartiment submergé est de 30 cm (12 pouces)



- Retirez le caillebotis et déroulez la couverture de la piscine selon les instructions de votre manuel de couverture de piscine.
- Enlevez une des extensions de l'aspirateur avant de l'immerger dans la piscine.
- Fixez un manche télescopique (non fourni) à la poignée d'aspirateur de piscine comme indiqué dans le manuel.
- Mettez l'aspirateur sous tension, puis alignez-le comme indiqué dans l'image ci-dessus avant l'immersion.
- Une fois que l'aspirateur atteint le fond de la piscine, parallèle à la longueur de la piscine comme indiqué ci-dessus, commencez à aspirer le compartiment submergé.

VIDER LE SAC DE FILTRATION

MISE EN GARDE ! Assurez-vous que l'aspirateur est éteint avant de nettoyer le sac de filtration. Placez l'aspirateur sur une surface plate. Appuyez sur l'attache du cordon pour libérer le sac du corps principal. Il est recommandé de nettoyer le sac de filtration avec un jet d'eau. Si vous devez le brosser, utilisez uniquement une brosse douce pour le nettoyer soigneusement et délicatement afin d'éviter tout dommage.

MAINTENANCE ET STOCKAGE

NOTE :

1. Assurez-vous de nettoyer et de sécher les zones autour du port de charge et des capteurs d'eau après chaque utilisation pour éviter la formation de taches (sous-produit d'une réaction chimique naturelle entre le courant électrique et l'eau). Les taches peuvent être éliminées grâce à un coton-tige imbibé de jus de citron ou de vinaigre.
2. La batterie se décharge toute seule pendant le stockage. S'assurer de recharger l'aspirateur électrique à 30%- 50% avant de le stocker.

3. Recharger la batterie au minimum une fois tous les trois mois lorsqu'elle n'est pas fréquemment utilisée.
- Débrancher l'adaptateur externe de la prise et débrancher le câble de la prise de charge.
 - Séparer les accessoires de l'aspirateur de piscine. Si nécessaire, rincer l'aspirateur de piscine et les accessoires à l'eau douce. Ne pas utiliser de savon agressif.
 - Séchez l'aspirateur avant le stockage
 - Utiliser un chiffon humide pour nettoyer et sécher l'aspirateur de piscine et ses accessoires.
 - Les ranger dans une zone bien aérée éloignée de la lumière du soleil, de la chaleur, des sources d'ignition et des produits chimiques pour la piscine et tenir hors de la portée des enfants. La température ambiante de stockage doit être de 10°C – 25°C. NOTE : Une température de stockage plus élevée peut réduire la vie de la batterie.

AVERTISSEMENT !

En aucun cas, vous ne devez tenter de démonter l'aspirateur de piscine et de remplacer la turbine, le moteur et la batterie de par vous-même.

MISE EN GARDE !

- La chaleur excessive peut endommager la batterie et réduire par conséquent sa durée de vie.
- Consultez votre revendeur concernant le remplacement de la batterie si :
 - La batterie ne charge pas complètement.
 - Le temps de fonctionnement de la batterie est significativement réduit. Observer et noter le temps de fonctionnement pendant les premières utilisations (à pleine charge). Utiliser cette information comme point de référence pour comparer le temps de fonctionnement.
- La batterie doit être retirée de l'aspirateur de piscine avant d'être éliminée.
- La batterie doit être éliminée sous une forme sûre et conformément aux ordonnances ou réglementations locales.

NOTE : Une maintenance incorrecte peut réduire la durée de vie de la batterie et affecter de ce fait sa capacité.

ÉLIMINATION DES BATTERIES (réaliser par un technicien agréé)

Votre aspirateur de piscine est équipé d'un bloc de batteries rechargeables au lithium (aucune maintenance nécessaire), qui doit être éliminé correctement. Son recyclage est requis ; veuillez contacter les autorités locales de votre région pour une plus ample information.

AVERTISSEMENT ! Ne jamais tenter de démonter un bloc de batteries

- Retirer tous les objets personnels tels que bagues, bracelets, colliers et montres lorsque le bloc de batteries n'est pas connecté à l'aspirateur de piscine.
- Une batterie peut produire un courant de court-circuit suffisamment élevé pour souder une bague (ou un article similaire) en métal, causant ainsi une grave brûlure dans le processus.
- Porter un protecteur complet pour les yeux, des gants et des vêtements de protection lorsque le bloc de batteries est retiré.

- Éviter absolument de toucher les fils et éviter de leur permettre de faire contact avec tous objets métalliques, ce qui pourrait causer une émission d'étincelles et/ou court-circuiter la batterie.
- Ne jamais fumer ni permettre qu'une étincelle ou une flamme ne se produise dans le voisinage de la batterie ou de l'aspirateur de piscine.
- Ne pas exposer la batterie au feu ou à une chaleur intense car cela pourrait produire une explosion.

MISE EN GARDE !

Si une fuite de la batterie se produit, éviter le contact avec les liquides de fuite et placer la batterie endommagée dans un sac en plastique.

- Si les liquides de fuite entrent en contact avec la peau et les vêtements, les laver immédiatement avec une grande quantité de savon et d'eau.
- Si les liquides de fluides entrent en contact avec les yeux, ne pas se frotter les yeux, rincer immédiatement les yeux à l'eau courante froide pendant 15 minutes au moins et ne pas les frotter. Demander une assistance médicale le plus rapidement possible.

Comment retirer le bloc de batteries uniquement à des fins de recyclage de la batterie (Ceci doit être réalisé par un technicien autorisé)

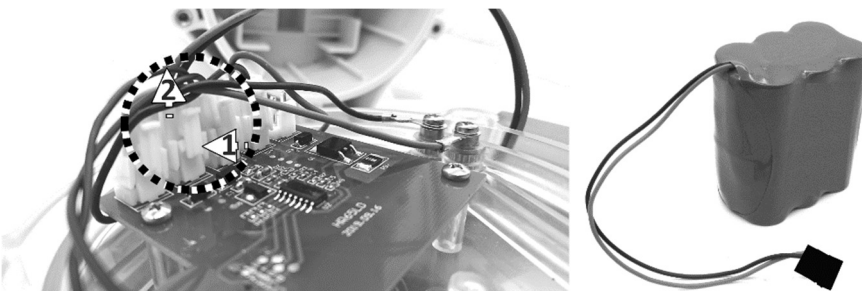
Outils recommandés (non inclus) : Tournevis.

AVERTISSEMENT ! L'aspirateur de piscine doit être débranché du secteur avant de retirer la batterie.

1. Placez l'aspirateur de piscine sur une surface plate. Utilisez le tournevis pour desserrer les vis du couvercle arrière. Retirez la batterie du module.



2. Pour détacher le fil de connexion de la batterie, appuyez sur le clip du connecteur pour le retirer. **REMARQUE** : Enveloppez immédiatement le connecteur avec du ruban isolant afin d'éviter tout court-circuit provoqué par le contact des deux bornes de fil.



REPÉRAGE DE PANNES

Problème	Cause possible	Solution
Le nettoyeur ne commence pas à travailler sous l'eau (après 5 à 10 secondes)	Capteurs d'eau tachés	Les taches peuvent être éliminées en utilisant un coton-tige imbibé de jus de citron ou de vinaigre pour nettoyer les zones autour des capteurs d'eau.
	La batterie est épuisée	Recharger la batterie.
	Coincé par la tige du sac de filtre à limon	Retirer l'aspirateur de piscine de la piscine et l'éteindre. Réinstaller la tige sur le sac et s'assurer que sa position est sûre.
L'aspirateur de piscine ne capture pas les débris / les débris ont fui dans la piscine	Batterie faible	Recharger la batterie.
	La turbine est bloquée	Retirez l'aspirateur de piscine de l'eau et tournez le bouton dans le sens inverse des aiguilles d'une montre pour éteindre l'aspirateur. Vérifiez si la turbine est coincée par de gros débris. Retirez les débris. Si nécessaire, contactez votre revendeur pour plus d'instructions. AVERTISSEMENT ! Assurez-vous que l'aspirateur de piscine est éteint avant d'effectuer l'entretien de l'unité.
	Coincé par la tige du sac de filtre à limon	Retirer l'aspirateur de piscine de la piscine et l'éteindre. Réinstaller la tige sur le sac et s'assurer que sa position est sûre.
	La turbine est cassée	Contactez votre concessionnaire pour le remplacement de la turbine.
	Le filtre est plein / obstrué	Nettoyer le filtre.
Le temps de charge est plus long que spécifié	Broches de charge tachées	Les taches peuvent être éliminées en utilisant un coton-tige imbibé de jus de citron ou de vinaigre pour nettoyer les zones autour des capteurs d'eau.
L'aspirateur de piscine ne peut pas être chargé / rechargé	La batterie est endommagée	Contactez le concessionnaire pour le remplacement de la batterie. AVERTISSEMENT ! NE PAS ouvrir l'aspirateur de piscine et remplacer la batterie de par vous-même. Cela pourrait causer des blessures graves ou mortelles et la garantie serait annulée de ce fait.
	La prise de charge n'est pas correctement connectée à l'adaptateur externe et à l'aspirateur	Reportez-vous au manuel d'instructions afin de connecter correctement les accessoires de charge.
	L'adaptateur externe n'est plus en état de marche	Contactez votre concessionnaire pour le remplacer. AVERTISSEMENT ! L'utilisation d'un adaptateur externe incorrect donnera pour résultat l'endommagement de l'aspirateur de piscine / batterie et annulera de ce fait la garantie.
Programmes environnementaux, Directive européenne DEEE		
	Veuillez respecter les réglementations de l'Union européenne et aider à protéger l'environnement. Portez les équipements électriques qui ne fonctionnent pas à une installation désignée par votre municipalité qui recycle correctement les équipements électriques et électroniques. Ne les jetez pas dans des poubelles sans triage. Pour les articles contenant des batteries démontables, retirer les batteries avant d'éliminer le produit. (v1) 2002024	
	© 2020 Kokido Development Ltd. Tous droits réservés. Aucune partie de ce document ne peut être reproduite ou transmise sous quelque forme ou par quelque moyen que ce soit, électroniques, mécaniques, photocopies, enregistrement ou de toute autre façon, sans l'autorisation écrite préalable de Kokido Development Ltd. (V1)	20009015

Si vous avez besoin d'une copie sur papier de ce manuel d'instructions, veuillez contacter notre service clientèle par email : customerservice@kokido.com


CONSERVEZ CES INSTRUCTIONS

AVISOS E INSTRUCCIONES DE SEGURIDAD

La información contenida en este Manual de instrucciones le ayudará a operar el artículo de manera segura, protegerse a sí mismo y a los demás de peligros, y evitar daños al artículo y otras propiedades.

GUARDE ESTAS INSTRUCCIONES

¡ATENCIÓN!

- Este dispositivo no es un JUGUETE. Mantenga a los niños lejos de esta aspiradora de piscina y de sus accesorios.
- Los niños no deben usar este producto.
- Este aparato no está diseñado para ser utilizado por personas con capacidades físicas, sensoriales o mentales disminuidas o alta de experiencia y conocimiento, a menos que estén bajo supervisión o hayan recibido instrucciones para el uso del dispositivo por parte de una persona responsable de su seguridad y entiendan los peligros que entraña.
- Los niños no deben jugar con este producto.
- La limpieza y el mantenimiento del aspiradora de piscina no deben ser realizados por niños.
- Asegúrese de que la aspiradora de piscina esté completamente sumergida en el agua antes de ponerla en funcionamiento. Como mínimo, el agua debe cubrir por completo la aspiradora de piscina para poderla poner en marcha. Si la pone en funcionamiento sin estar correctamente sumergida podría deteriorar la unidad, lo que comportaría una invalidación de la garantía.
- La profundidad máxima a la que se puede usar el dispositivo es de 3 metros.
- Temperatura máxima del agua: 5 °C–35 °C
-  Unidad de alimentación desmontable (adaptador externo).
- La aspiradora de piscina únicamente debe recargarse con el adaptador externo y el enchufe de carga suministrados con este producto.
- Para recargar la batería, utilice exclusivamente la unidad de fuente de alimentación extraíble (número de modelo de adaptador externo: DSS12D-1351000-B / DSS12D-1351000-C / DSS12D-1351000-D/ LX135100U) provista con la aspiradora de piscina.
- Conecte el adaptador externo a una fuente de alimentación mediante un interruptor diferencial (ID) (también conocido como RCD) / un interruptor de circuito por defecto a tierra (GFCI, por sus siglas en inglés). En caso de duda, consulte a un electricista profesional cualificado.
- No use esta aspiradora de piscina si detecta cualquier daño.
- Cambie las piezas dañadas con piezas certificadas por el distribuidor o el fabricante
- Desactive el dispositivo, desconecte el adaptador externo de la fuente de alimentación y desenchufe el adaptador externo de la enchufe de carga antes de retirar la aspiradora de piscina de la enchufe de carga.

- Desconecte la aspiradora de piscina de la corriente general y asegúrese de que esté apagada antes de realizar las tareas de mantenimiento habituales, como limpiar el filtro.
 - NO intente cambiar la batería recargable de iones de litio preinstalada.
 - NO manipule el aspiradora de piscina el adaptador externo y el enchufe de carga mientras se tenga extremidades húmedas y sin zapatos.
 - No debe usar esta aspiradora de piscina si hay personas/mascotas en el agua.
 - NO use esta aspiradora de piscina sin un bolsa filtrante intacto instalados, ya que de lo contrario la garantía quedará anulada.
 - Peligro de atrapamiento por succión: Esta aspiradora de piscina genera succión. No permita que su pelo, cuerpo o prendas sueltas entren en contacto con el orificio de succión de la aspiradora de piscina cuando esté en funcionamiento.
 - No introduzca nunca partes del cuerpo, ropa u otros objetos en las aberturas y piezas móviles de la aspiradora de piscina.
 - NO use este aspiradora de piscina para recoger sustancias líquidas tóxicas, inflamables o combustibles (como gasolina), ni en presencia de vapores explosivos o inflamables.
 - No intente, bajo ninguna circunstancia, desmontar la aspiradora de piscina y sustituir el propulsor, el motor y la batería por sí mismo.
 - Nunca debe introducir los dedos ni ningún objeto para tocar el propulsor.
 - La extracción de la batería incorporada para su eliminación debe realizarla un técnico especializado.
 - Este aspiradora de piscina incluye una batería que solo puede ser desmontada por personal formado.
 - Debe desconectar el aspiradora de piscina de la alimentación eléctrica al retirar la batería.
 - Para obtener más detalles sobre la eliminación de la batería, consulte la sección "ELIMINACIÓN DE LA BATERÍA" de este manual y póngase en contacto con las autoridades locales para obtener más información.
 - La batería debe desecharse de manera segura y de acuerdo con las ordenanzas o regulaciones.
-
- Adaptador externo y enchufe de carga:
 - Sólo debe usar el adaptador externo y la enchufe de carga para recargar la batería de la aspiradora de piscina suministrada en el mismo paquete.
 - El adaptador externo y el enchufe de carga no deben usarse en el exterior, ni deben exponerse a la lluvia, la humedad, líquidos o fuentes de calor.
 - El transformador (o adaptador externo) debe estar situado fuera de la zona 1
 - Mantenga el adaptador externo y la enchufe de carga fuera del alcance de los niños.
 - Nunca debe usar el adaptador externo ni la enchufe de carga si detecta cualquier daño.

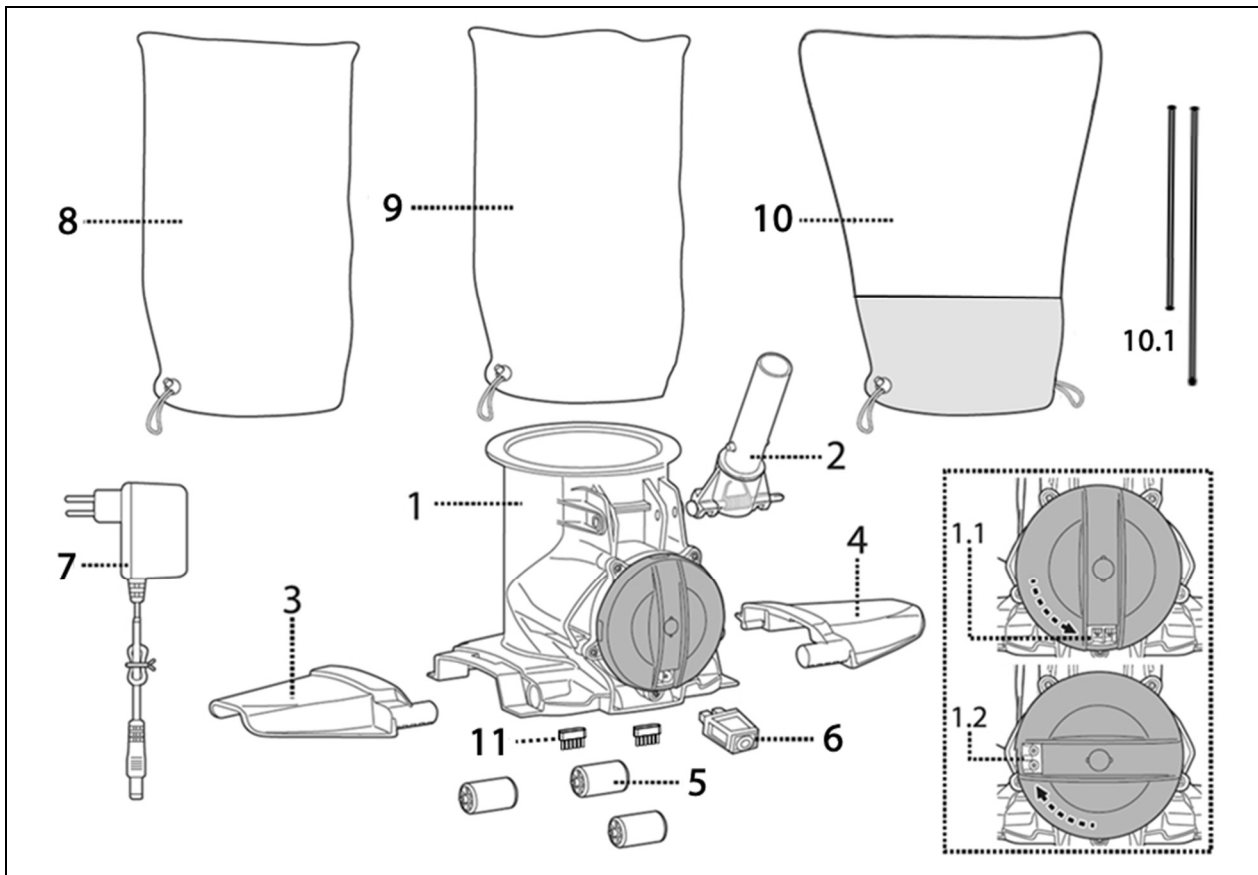
- NO coja el adaptador externo ni la enchufe de carga con las manos mojadas.
- Mantenga el adaptador externo desconectado de la corriente eléctrica cuando no lo esté usando.
- No intente abrir el adaptador externo ni la enchufe de carga.
- Si el cable de alimentación del adaptador externo está dañado, el fabricante o su proveedor de servicios debe reemplazar el adaptador externo para prevenir cualquier posible riesgo.
- Asegúrese de que la aspiradora de piscina y la enchufe de carga están completamente secas antes de iniciar la recarga.

¡PRECAUCIÓN!

- Esta aspiradora de piscina sólo está diseñada para ser usada bajo el agua; no es una aspiradora de uso general. NO intente usarla para limpiar una superficie que no sea su piscina/*spa*.
- Sólo debe usar accesorios originales provistos junto con este producto.
- NO use esta aspiradora de piscina justo después de aplicar el tratamiento de choque a la piscina. Se recomienda dejar circular el agua de la piscina durante al menos 24-48 horas.
- Si tiene una piscina de agua salada, asegúrese de que toda la sal esté disuelta antes de introducir el aspiradora de piscina en el agua.
- NO use este aspiradora de piscina al mismo tiempo que otra aspiradora / aspiradora eléctrica
- Evite recoger objetos duros y afilados con este dispositivo. Podrían dañar la aspiradora de piscina y el filtro.
- Para evitar daños en el adaptador externo y el enchufe de carga, no transporte el aspiradora de piscina por cable del adaptador externo /enchufe de carga y no tire del cable desconectar de la fuente de alimentación y el enchufe de carga.
- Cargue la aspiradora de piscina en un espacio interior, en una zona seca y limpia con buena ventilación y protegida de la luz solar.
- NO deje la aspiradora de piscina cargando durante más de 10 horas.
- Si no va a usar la aspiradora de piscina durante un periodo de tiempo prolongado, sepárela de la enchufe de carga y use un paño húmedo para limpiar y secar la con sus accesorios. Asegúrese de cargar el limpiafondos entre el 30 % y el 50 % de la capacidad de su batería antes de guardarlo. Guárdela en una zona bien ventilada y libre de luz solar, calor, fuentes de ignición y productos químicos para piscina, fuera del alcance de los niños. No deje nunca la aspiradora de piscina conectada si va a guardarla durante un periodo de tiempo prolongado. Recargue la aspiradora de piscina cada tres meses.
- Todas las acciones que comporten desmontar la unidad principal (por ejemplo, la eliminación de la batería) debe llevarlas a cabo exclusivamente un técnico autorizado.

Los avisos y precauciones anteriores pueden no incluir todas posibles situaciones de riesgo y/o lesiones graves. Los propietarios de piscina/*spa* deben tener siempre mucho cuidado y sentido común al utilizar el producto.

CÓMO FUNCIONA LA ASPIRADORA DE PISCINA



		Referencia de pieza			Referencia de pieza
1.	Unidad principal	Modelo EV90: - EV90ASM04 EV90ASM04/US	6.	Enchufe de carga	EV90-09
		Modelo EV91: - EV91ASM04 EV91ASM04/US	7.	Adaptador	EV90-08-002 (EU) EV90-08-002/US(USA) EV90-08-002/AU (Australia / Nueva Zelanda)
		Modelo EV95: - EV95ASM04 EV95ASM04/US			
1.1.	Puerto de carga (con dos clavijas de carga)	-----	8.	Bolsa de filtro normal x 1	EV90-06-001
1.2.	Sensores de agua	-----	9.	Bolsa de filtro fina (para partículas finas) x 1	EV90-06-002
2.	Conector (con conector y muelle) de pértiga telescópica / mango	EV90ASM01	10.	Bolsa de sedimento	EV95-06-001 (incluido únicamente en el modelo EV95)
			10.1.	Varillas de soporte	
3.	Extensión izquierda	EV90ASM02	11.	Cepillo x 2	EV90-10 (incluido únicamente en el modelo EV91 / EV95)
4.	Extensión derecha				
5.	Ruedas x 3				

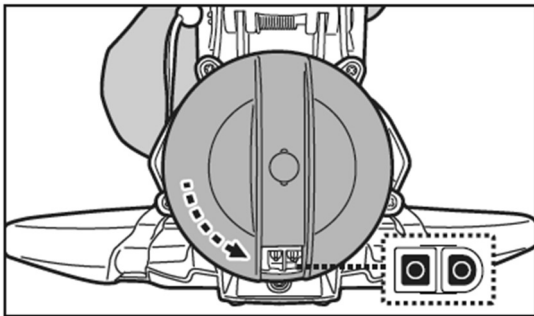
PRIMEROS PASOS

Cargando la batería

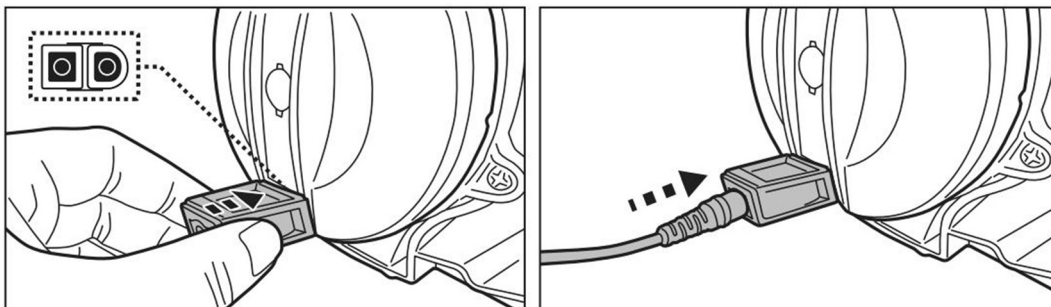
AVISO IMPORTANTE: Recargue completamente el aspiradora de piscina (unas 6 horas) antes de usarlo por primera vez.

¡ATENCIÓN!

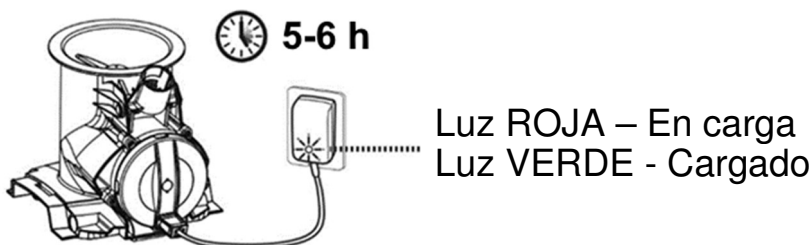
- Solo debe usar el adaptador externo y el enchufe de carga originales incluidos en el producto.
 - Asegúrese de que el aspiradora de piscina y el puerto de carga estén limpios y secos antes de cargar. (CONSEJO: use un bastoncillo de algodón para secarlo, así como los pines de carga)
 - Los pines de carga son impermeables. Sin embargo, el agua estancada en el puerto y alrededor de los pines podría causar manchas naturales (un subproducto de la reacción química entre el agua y las corrientes eléctricas). Las manchas se pueden eliminar frotando ligeramente con un bastoncillo de algodón humedecido con jugo de limón o vinagre.
1. Coloque la unidad sobre una superficie plana. Ajuste la aspiradora de piscina en la posición «Apagado/Modo de carga» girando el interruptor en sentido contrario a las agujas del reloj hasta que haga clic y el puerto de carga quede completamente a la vista.



2. Alinee e inserte el enchufe de carga en el puerto de carga. **ADVERTENCIA:** Asegúrese de no invertir el enchufe de carga y de que tanto el enchufe como el puerto estén limpios y secos antes de la carga. **CONSEJO:** Utilice un bastoncillo de algodón para secar el puerto de carga y las clavijas. Conecte el cable de carga del adaptador externo al enchufe de carga



3. Enchufe el adaptador externo a una toma de corriente. El indicador luminoso del adaptador externo permanecerá en rojo mientras la aspiradora se esté cargando y pasará a verde una vez completada la carga. Cargue el aspirador durante 5-6 horas para optimizar su rendimiento.



- Desconecte inmediatamente el adaptador externo de la fuente de alimentación si detecta cualquiera de las siguientes condiciones:
 - Olor extraño o inusual
 - Calor excesivo
 - Deformación, grietas o fugas
 - Humo
4. Una vez completada la carga, desconecte el adaptador externo de la toma de corriente y desenchufe el cable de carga del puerto de carga. Extraiga asimismo el enchufe de carga de la unidad principal. **ADVERTENCIA:** No deje nunca el enchufe de carga puesto mientras la aspiradora de piscina está en el agua.

Normalmente, la aspiradora de piscina está diseñada para funcionar un máximo de 75 minutos con una carga completa.

NOTA: Limpie el bolsa filtrante regularmente. El exceso de suciedad en el bolsa filtrante aumenta el trabajo del motor y, como consecuencia, disminuye el tiempo de funcionamiento.

HECHO: La batería recargable de iones de litio está clasificada como un producto consumible. Tiene una vida útil limitada y perderá gradualmente su capacidad de retener la carga. Así pues, el tiempo de funcionamiento de la aspiradora de piscina se reducirá gradualmente a medida que se cargue y se descargue la aspiradora por su uso.

Cuando se agote la vida útil de la batería, consulte en el apartado «ELIMINACIÓN DE LA BATERÍA» las instrucciones para eliminar la batería.

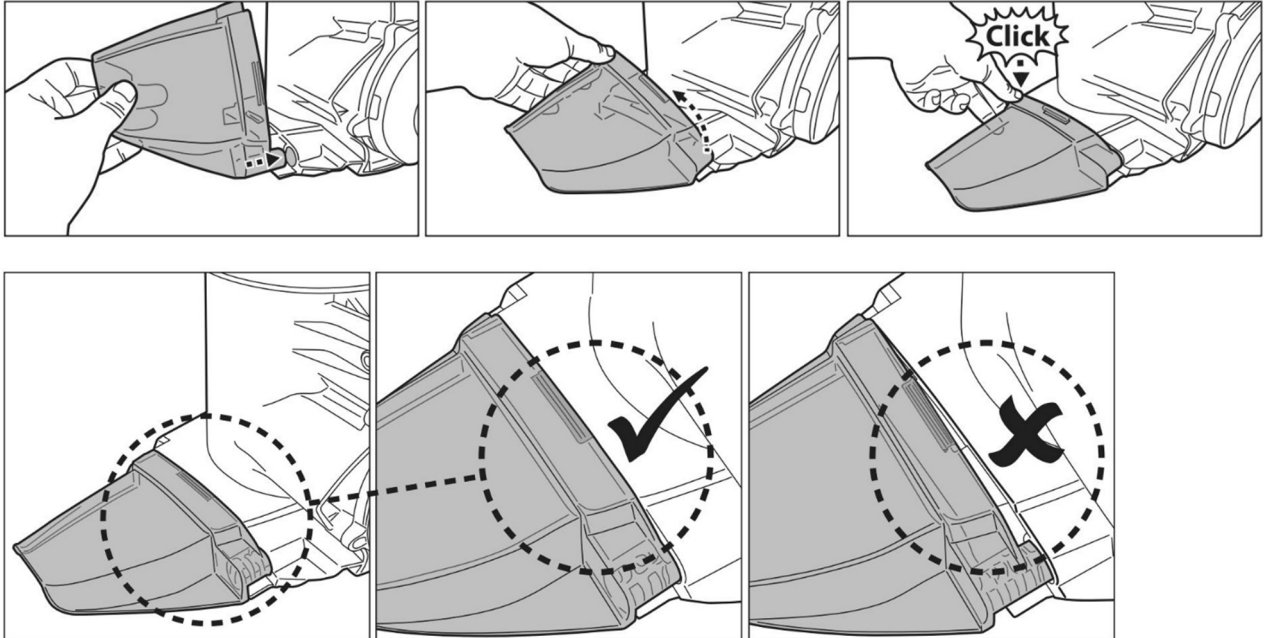
NOTA: Deje reposar la aspiradora de piscina durante unos 30 o 40 minutos antes de volverla a cargar.

Configuración antes de uso

Esta aspiradora de piscina posee extensiones extraíbles que pueden retirarse para limpiar las zonas más pequeñas.

Montaje de las extensiones laterales

Introduzca el vástago de la extensión en el orificio del lateral del cuerpo principal de la aspiradora. Gire la extensión y presiónela hacia abajo para fijarla al cuerpo principal. Cuando ajuste, escuchará un clic.

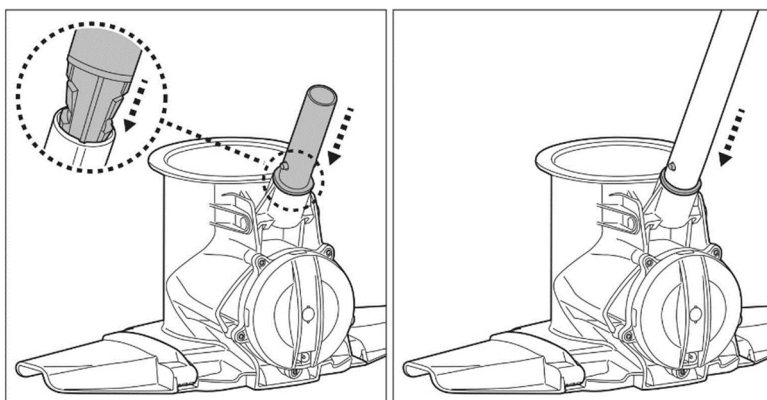


Desmontaje de las extensiones laterales

Invierta los pasos anteriores para desmontar la extensión de la unidad principal.

Montaje del conector de la pértiga telescópica/mango

Alinee e inserte el conector de la pértiga/mango en el punto indicado. Deslice la pértiga telescópica por el conector hasta que los orificios del lateral de la pértiga telescópica encajen con las clavijas del conector y queden bien fijados.



Montaje de las bolsas de filtro normal y fino

Nota: Utilice la bolsa de filtro fino cuando en la piscina haya partículas de suciedad finas y arena y la bolsa de filtro normal para la suciedad de mayor tamaño, como hojas de árboles.

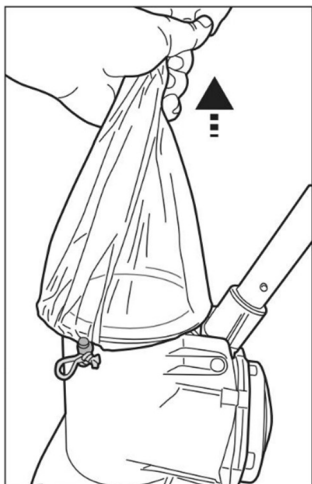


Cubra con la bolsa de filtro la apertura superior del cuerpo principal de la aspiradora de piscina. Asegúrese de que el cordón de la bolsa quede situado por debajo del reborde de la apertura superior



Manteniendo sujeto el cordón, apriete el cierre de muelle y arrástrelo hasta que quede por debajo del reborde de la apertura superior.

CONSEJO: Para asegurar la bolsa del filtro, a la hora de llevar el cierre bajo el reborde, tire de un solo cordón, en lugar de tirar de ambos, tal como se muestra en la imagen.



Levante la bolsa para asegurarse de que ha quedado bien asegurada antes de sumergir la aspiradora de piscina en el agua.

Montaje de la bolsa de filtro de sedimentos

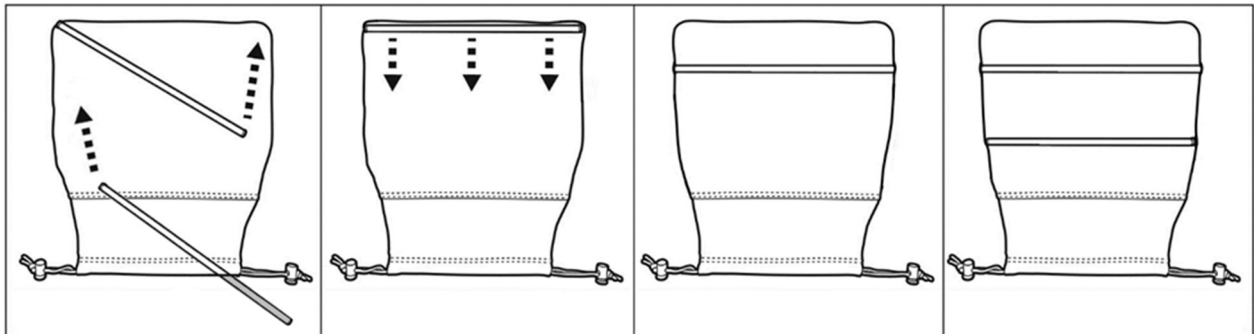
Nota: La bolsa del filtro de sedimento está diseñada para atrapar las partículas de suciedad más finas, como sedimento.

El montaje de la bolsa del filtro de sedimento requiere la instalación de dos varillas, que se utilizan para reducir la cantidad de agua que se retiene en la bolsa durante la extracción y facilitar el movimiento de la aspiradora por el fondo de la piscina.

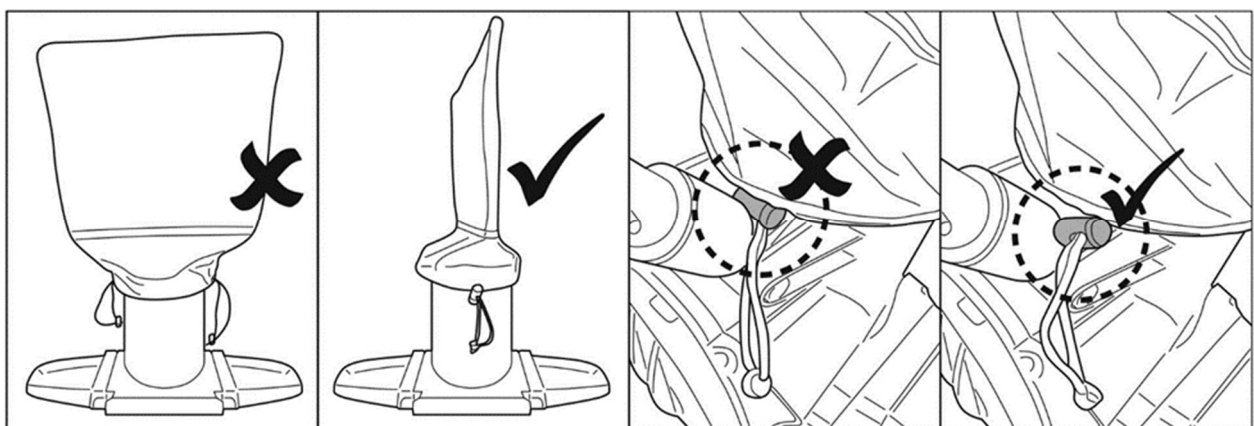
Las dos varillas presentan una longitud distinta. En primer lugar, coloque la varilla más larga en el interior de la bolsa y alinéela con el fondo de esta. Mantenga la varilla nivelada y empújela hacia abajo hasta que quede bien acoplada; compruebe que ha quedado fijada tirando con suavidad de ella.

Inserte de manera similar la varilla más corta y manténgala nivelada, apriétela hacia abajo hasta que quede bien acoplada y fijada, tal como se indica en la imagen inferior.

Nota: Asegúrese de que ambas varillas queden bien fijadas en el interior de la bolsa del filtro antes de sumergir la aspiradora en la piscina para evitar que se caigan y atasquen el propulsor durante el funcionamiento.



Acople la bolsa del filtro de sedimento por su lado más estrecho y de cara a la apertura superior del cuerpo principal de la aspiradora. Asegúrese de que la bolsa del filtro envuelva por completo el reborde de la apertura superior y de que el cierre de cordón con muelle no obstruya el movimiento del mango (véase la imagen inferior).



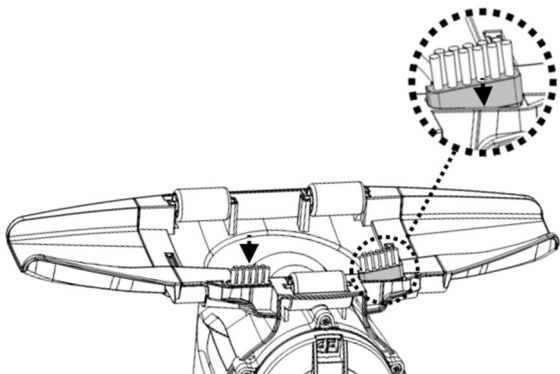
Consulte las instrucciones anteriores para montar el filtro normal y fijar los dos cierres de cordón con muelle de la bolsa. Presione el cierre de cordón de muelle y ajústelo. Por último, levante la bolsa de sedimento para comprobar que esté bien fija antes de sumergir la aspiradora de piscina en el agua.

Nota: Cuanto más fina sea la bolsa de filtrado más rápidamente quedará obstruida. La

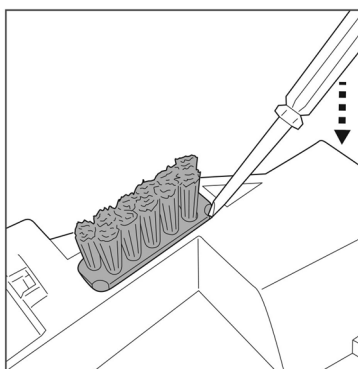
suciedad volverá a la piscina debido a la gran contrapresión provocada por la bolsa atascada. Si la aspiradora de piscina no atrapa la suciedad o empieza a verterla de nuevo, limpie la bolsa del filtro por dentro y por fuera. Consulte el apartado «**VACIADO DE LA BOLSA DEL FILTRO**» para limpiar la bolsa.

Montaje del cepillo

Alinee e inserte todos los cepillos en las muescas de la cara inferior de la aspiradora de piscina.



Para extraer el cepillo, inserte la punta de un destornillador pequeño en la muesca de la esquina y levante el cepillo.

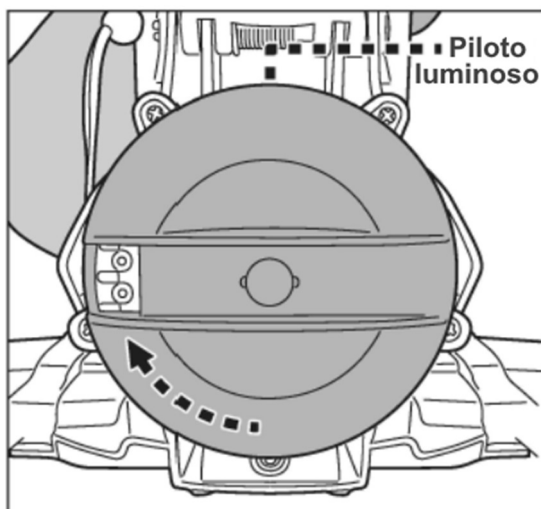


Preparación de la piscina

- Si el revestimiento está resquebrajado, dañado o arrugado, contacte con un profesional cualificado para que realice las reparaciones necesarias o sustituya el revestimiento antes de usar la aspiradora de piscina.
- Si tiene una piscina de agua salada, asegúrese de que toda la sal esté disuelta antes de introducir la aspiradora de piscina en el agua.

FUNCIONAMIENTO

- 1) Sitúe la aspiradora de piscina en un lado de la piscina. Gire el interruptor en el sentido de las agujas del reloj hasta que haga clic y queden a la vista los sensores de agua. El piloto luminoso superior se iluminará en azul. Sumerja la aspiradora de piscina en el agua; al hacerlo, el piloto luminoso se iluminará inmediatamente en verde y, transcurridos unos 4 o 5 segundos, el propulsor empezará a girar.

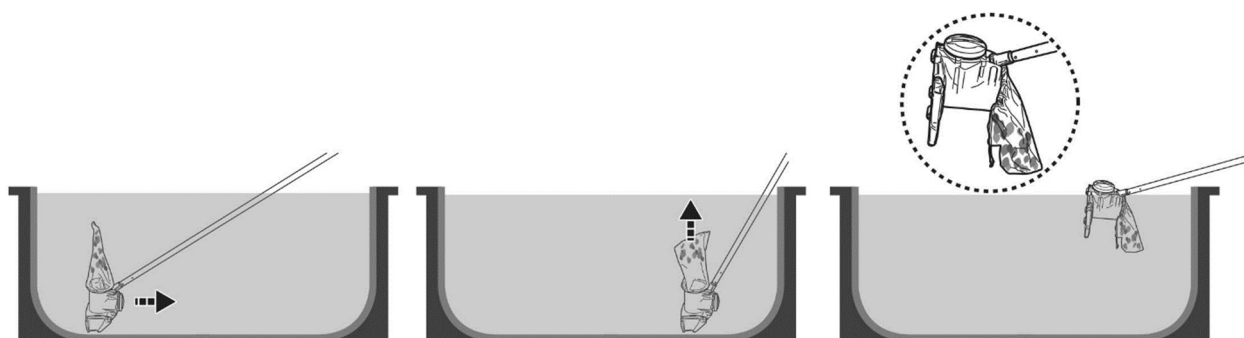


Color del piloto luminoso	
Azul	Encendida (lista para funcionar)
Azul intermitente	Nivel de batería bajo
Verde	En funcionamiento
Verde intermitente	Nivel de batería bajo
Luz verde apagada	Batería agotada (recarga necesaria)
Rojo	Propulsor detenido (propulsor atascado).

Para limpiar toda la suciedad de manera efectiva, asegúrese de que la aspiradora quede plana en el fondo de la piscina y de conducirla de un lado para otro con un movimiento regular por encima de la suciedad acumulada. La aspiradora atrapa la suciedad tanto por la parte frontal como por la laterales y la posterior, hasta llenar la bolsa del filtro.

Si la piscina está excesivamente sucia, el propulsor podría atascarse, lo cual comportaría que automáticamente deje de proteger el motor; en tal caso, el piloto automático se iluminaría en rojo. De ser así, extraiga la aspiradora de la piscina y apáguela antes de desatascarla y de vaciar la bolsa del filtro, si está llena. Para volverla a poner en funcionamiento, gire el interruptor en el sentido contrario a las agujas del reloj, hasta la posición de OFF (apagado) y luego gírelo en el sentido de las agujas del reloj hasta la posición de ON (encendido).

2) Para extraer la aspiradora, condúzcala hasta un lateral de la piscina y póngala bocabajo antes de levantarla. Esta operación tiene por fin evitar que la suciedad caiga de nuevo a la piscina (sobre todo si se está utilizando la bolsa de filtro para partículas finas), así como doblar la pértiga en el proceso.



Una vez extraída la aspiradora del agua, el propulsor dejará de girar al cabo de 2 o 3 segundos. El piloto luminoso LED se iluminará en azul. Cuando el nivel de batería sea bajo, el piloto azul parpadeará.

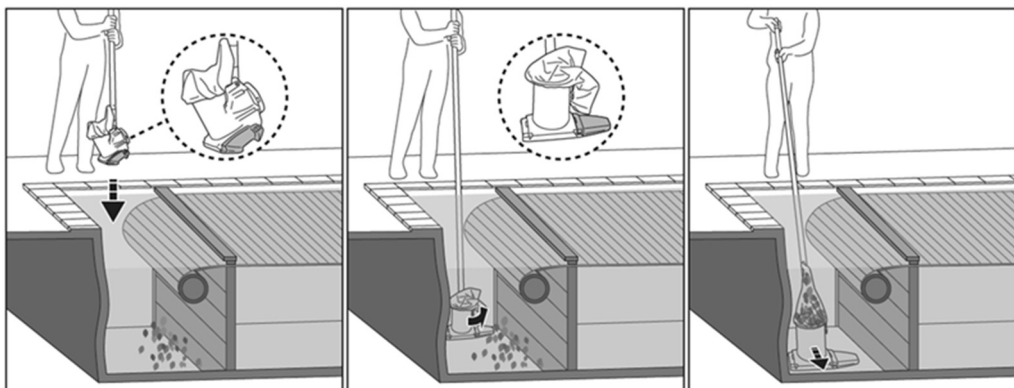
3) Aclare la aspiradora de piscina con agua limpia después de cada uso. NO utilice detergentes agresivos.

- 4) Seque bien el puerto de carga y las clavijas. (CONSEJO: Utilice un bastoncillo de algodón para secarlos).

Aspire el compartimento sumergido de su cubierta de listones automática

ADVERTENCIA! Preste atención a todas las advertencias de seguridad en el manual para su cubierta de listones automática antes de esta operación de limpieza.

- La distancia mínima requerida para sumergir la aspiradora en el compartimento sumergido es de 30 cm (12 pulgadas)



- Retire la rejilla y desenrolle la cubierta de la piscina en acuerdo con las instrucciones del manual de la cubierta de la piscina.
- Retire una de las extensiones de la aspiradora antes de sumergirla en la piscina.
- Coloque el mango telescópico (no suministrado) en la manija de la aspiradora de piscina como se indica en el manual.
- Encienda la aspiradora, alinéela como se muestra en la imagen anterior antes de la inmersión.
- Una vez que la aspiradora llegue al fondo de la piscina, paralela a la longitud de la piscina como se indicó anteriormente, comience a aspirar el compartimento sumergido.

VACIADO DEL FILTRO

ADVERTENCIA: Asegúrese de que la aspiradora de piscina esté apagada antes de limpiar la bolsa del filtro.

Coloque la aspiradora sobre una superficie plana. Presione el cierre de muelle para soltar la bolsa del cuerpo principal de la aspiradora. Se recomienda enjuagar la bolsa del filtro con agua. Si considera necesario cepillarla, límpiela con delicadeza con un cepillo suave para evitar deteriorarla.

MANTENIMIENTO Y ALMACENAMIENTO

NOTA::

1. Asegúrese de limpiar y secar las áreas alrededor del puerto de carga y los sensores de agua después de cada uso para evitar manchas (un subproducto de una reacción

química natural entre la corriente eléctrica y el agua). Las manchas se pueden quitar con un bastoncillo de algodón empapado en jugo de limón o vinagre.

2. La batería se descarga durante los periodos de almacenamiento. Asegúrese de cargar el aspiradora de piscina entre el 30 % y el 50 % de la capacidad de su batería antes de guardarlo.
3. Debe recargar la batería al menos una vez cada tres meses si no la va a usar.
 - Desenchufe el adaptador externo del enchufe y desconecte el conector adaptador de la enchufe de carga.
 - Separe los accesorios de la aspiradora de piscina. Si fuera necesario, enjuague la aspiradora de piscina y sus accesorios con agua limpia NO utilice detergentes abrasivos.
 - Asegúrese de secar la aspiradora de piscina antes de guardarla.
 - Use un paño húmedo para limpiar y secar la aspiradora de piscina y sus accesorios.
 - Guárdelos en una zona bien ventilada y libre de luz solar, calor, fuentes de ignición y productos químicos para piscina, fuera del alcance de los niños. La temperatura ambiente de almacenamiento debe ser de 10 °C - 25 °C. NOTA: Una temperatura de almacenamiento superior podría reducir la vida útil de la batería.

¡ATENCIÓN!

No intente, bajo ninguna circunstancia, desmontar la aspiradora de piscina y sustituir el propulsor, el motor y la batería por sí mismo.

¡PRECAUCIÓN!

- El calor excesivo puede dañar la batería y reducir su vida útil.

Consulte con su distribuidor para la sustitución de la batería si ocurre lo siguiente:

- La batería parece dañada o no se carga completamente.
- El tiempo de funcionamiento de la batería se ha reducido considerablemente.

Observe y anote el tiempo de funcionamiento durante los primeros usos (con una carga completa). Use esta información como referencia para comparar el tiempo de funcionamiento en el futuro.

- La batería debe sacarse de la aspiradora de piscina antes de ser desechada.
- La batería debe desecharse de manera segura y de acuerdo con las ordenanzas o regulaciones locales.

NOTA: Un mantenimiento incorrecto puede reducir la vida útil de la batería y afectar a su capacidad.

ELIMINACIÓN DE LA BATERÍA (Debe hacerlo un técnico autorizado)

Su aspiradora de piscina está equipada con un paquete de baterías de iones de litio recargable que no requiere mantenimiento y que debe ser desechado correctamente. Su reciclaje es obligatorio; contacte con su autoridad local para obtener más información.

¡ATENCIÓN!

Nunca debe intentar desmontar un paquete de baterías.

- Retire todos los objetos personales, como anillos, pulseras, collares y relojes, cuando el paquete de baterías esté desconectado de la aspiradora de piscina.
- Una batería puede generar una corriente de cortocircuito lo suficientemente elevada como para soldar un anillo (u objeto similar) al metal, causando graves quemaduras.

- Al retirar el paquete de baterías debe llevar gafas protectoras, guantes y ropa protectora.
- Evite tocar los cables y que éstos entren en contacto con cualquier objeto metálico, lo cual podría causar chispas y/o un cortocircuito en la batería.
- No fume ni permita la presencia de chispas o llamas cerca de la batería ni de la aspiradora de piscina.
- No exponga la batería al fuego o a calor intenso, ya que se podría producir una explosión.

¡PRECAUCIÓN!

Si se produce una fuga, evite entrar en contacto con los líquidos y coloque la batería dañada en una bolsa de plástico.

- Si los líquidos de la fuga entran en contacto con piel o ropa, lávese inmediatamente con mucha agua y jabón.
- Si los líquidos de la fuga entran en contacto con sus ojos, no los frote; láveselos inmediatamente con agua fresca durante un mínimo de 15 minutos sin frotar. Busque atención médica lo antes posible.

Cómo retirar el paquete de baterías solo para la eliminación de la batería (debe hacerlo un técnico autorizado)

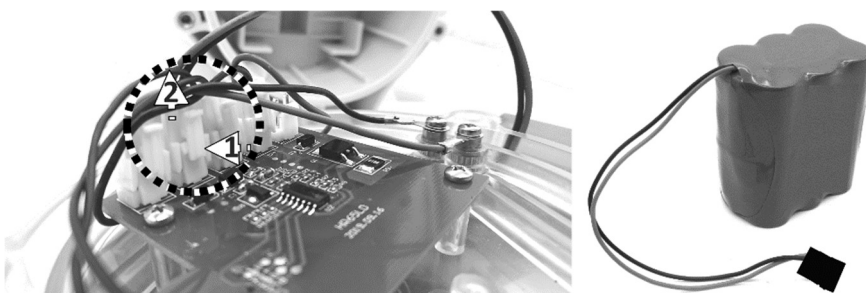
Herramientas recomendadas (no incluidas): destornillador.

ADVERTENCIA: La aspiradora de piscina debe estar desconectada de la corriente antes de extraer la batería.

1. Coloque la aspiradora de piscina sobre una superficie plana. Use el destornillador para desatornillar los tornillos de la cubierta posterior. Extraiga la batería del compartimento.





2. Para soltar el cable de conexión de la batería, presione el clip del conector y tire de él. **NOTA:** Envuelva el conector inmediatamente con cinta aislante para evitar que los terminales de ambos cables entren en contacto y se produzca un cortocircuito.



RESOLUCIÓN DE PROBLEMAS

Possible Cause	Solution	Possible Cause
La aspiradora no se pone en funcionamiento bajo el agua (transcurridos entre 5 y 10 segundos)	Los sensores de agua están manchados	Utilice un bastoncillo de algodón impregnado en zumo de limón o vinagre para limpiar las manchas de las zonas situadas alrededor de los sensores de agua.
	Batería agotada	Cargue la aspiradora de piscina.
	Atasco provocado por la varilla de la bolsa del filtro de sedimento	Extraiga la aspiradora de la piscina y apáguela. Vuelva a colocar la varilla en la bolsa y asegúrese de que quede bien fijada en su posición.
La aspiradora no atrapa la suciedad/ / Se filtra suciedad en la piscina	Poca batería	Cargue la aspiradora de piscina.
	Propulsor atascado	Extraiga la aspiradora de piscina del agua y gire el interruptor en sentido contrario a las agujas del reloj para apagarla. Compruebe si el propulsor está atascado por alguna partícula de suciedad de gran tamaño. En caso necesario, contacte con su proveedor para obtener las instrucciones oportunas. ADVERTENCIA: Asegúrese de que la aspiradora de piscina permanezca apagada hasta que se solucione el problema.
	Atasco provocado por la varilla de la bolsa del filtro de sedimento	Extraiga la aspiradora de la piscina y apáguela. Vuelva a colocar la varilla en la bolsa y asegúrese de que quede bien fijada en su posición.
	Propulsor roto	Contacte con su proveedor para obtener un recambio.
	Bolsa del filtro llena/atascada	Limpie la bolsa del filtro.
Tiempo de carga superior al anunciado	Clavijas de carga manchadas	Limpie las manchas de los alrededores de las clavijas de carga con un bastoncillo de algodón impregnado en zumo de limón o vinagre.
La aspiradora no carga	Batería deteriorada	Contacte con su proveedor para obtener una batería de recambio. ADVERTENCIA: NO sustituya la batería usted, ya que podría sufrir graves lesiones y la garantía quedaría invalidada.
	El enchufe de carga no está correctamente conectado al adaptador externo y la aspiradora	Consulte el manual de instrucciones y conecte adecuadamente los accesorios de carga.
	El adaptador externo no funciona	Contacte con su proveedor para obtener un adaptador de recambio. ADVERTENCIA: Usar un adaptador externo incorrecto podría deteriorar la aspiradora de piscina o la batería e invalidar la garantía.

Programas medioambientales, Directiva Europea WEEE

	Respete las regulaciones de la Unión Europea y ayúdenos a proteger el medio ambiente. Devuelva los equipos eléctricos desechados al punto indicado por su municipio, en el que se recicle correctamente el equipo eléctrico y electrónico. No lo deposite en contenedores de basura sin separar. En el caso de objetos que incluyan pilas, sáquelas antes de depositar el producto.
	© 2020 Kokido Development Ltd. 20009015 Todos los derechos reservados. Queda prohibida la reproducción o transmisión parcial o total de este documento de ninguna forma y por ningún medio electrónico, mecánico, en fotocopia, grabación u otros, sin la autorización previa por escrito de Kokido Development, Ltd. (V1).

Si necesita una copia digital de este manual de instrucciones, contacte con nuestro servicio de Atención al Cliente por correo electrónico: customerservice@kokido.co

GUARDE ESTAS INSTRUCCIONES

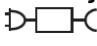
VEILIGHEIDSWAARSCHUWINGEN &

INSTRUCTIES

De informatie in deze Handleiding helpt u om het apparaat veilig te bedienen, om uzelf en anderen te beschermen tegen gevaren en om schade aan het apparaat en andere eigendommen te voorkomen.

BEWAAR DEZE INSTRUCTIES

WAARSCHUWING!

- Dit is **GEEN SPEELGOED**. Kinderen moeten buiten bereik van de zwembadstofzuiger en de accessoires worden gehouden.
- Laat kinderen dit product nooit bedienen.
- Dit apparaat is niet bedoeld voor gebruik door personen met verminderde fysieke, zintuiglijke of mentale capaciteiten, of een gebrek aan ervaring en kennis, tenzij zij onder toezicht staan of instructies hebben gekregen over het gebruik van het apparaat door een persoon die verantwoordelijk is voor hun veiligheid en zij de daarmee gepaard gaande risico's begrijpen.
- Kinderen mogen niet met dit bodemzuiger spelen.
- Reiniging en gebruikersonderhoud mogen niet door kinderen worden uitgevoerd.
- Zorg ervoor dat de zwembadstofzuiger volledig in water is ondergedompeld voordat u de werking start. Het minimale waterniveau dat vereist is om de zwembadstofzuiger te laten werken, moet de gehele zwembadstofzuiger bedekken. Als u de zwembadstofzuiger gebruikt wanneer deze niet correct in het water is ondergedompeld, kan dit het apparaat beschadigen en de garantie ongeldig maken.
- De maximale werkdiepte in water is 3 meter.
- Bedrijfstemperatuur water: 5°C – 35°C.
-  Afneembare voedingseenheid (externe adapter).
- De zwembadstofzuiger mag alleen worden opgeladen met de externe adapter en laadstekker die bij dit product worden geleverd.
- Gebruik voor het opladen van de batterij alleen de afneembare voedingseenheid (modelnummer van de externe adapter: DSS12D-1351000-B / DSS12D-1351000-C / DSS12D-1351000-D/ LX135100U) die bij deze bodemzuiger is geleverd om de batterij op te laden.
- Sluit de externe adapter aan op een stroombron via een aardlekschakelaar (RCD) / een verliesstroomschakelaar (GFCI). Raadpleeg een professionele elektricien als u vragen hebt.
- Gebruik deze zwembadstofzuiger niet als er schade wordt vastgesteld.
- Vervang beschadigde onderdelen door onderdelen die door de distributeur of fabrikant zijn gecertificeerd.
- Schakel de stroom uit, trek de stekker van de externe adapter uit het

- stopcontact en haal de stekker van de externe adapter uit de laadstekker voordat u de bodemzuiger uit de laadstekker haalt.
- Koppel de zwembadstofzuiger los van het elektriciteitsnet en zorg ervoor dat de zwembadstofzuiger is uitgeschakeld voordat u onderhoud uitvoert, zoals het reinigen van de filterzak.
 - Probeer in geen geval de geïnstalleerde oplaadbare Li-ion-batterij te vervangen.
 - Raak de zwembadstofzuiger, de externe adapter en de laadstekker NIET aan met natte ledematen en zonder schoenen, terwijl deze wordt opgeladen.
 - Gebruik deze zwembadstofzuiger niet wanneer er mensen/huisdieren in het water aanwezig zijn.
 - Gebruik deze zwembadstofzuiger NIET zonder een intacte filterzak, anders vervalt de garantie.
 - Beknellingsgevaar door zuigkracht: deze zwembadstofzuiger genereert afzuiging. Zorg ervoor dat haar, lichaam en losse delen van uw kleding niet in contact komen met het zuigpunt van de zwembadstofzuiger tijdens de werking.
 - Steek nooit lichaamsdelen, kleding en andere voorwerpen in de openingen en bewegende delen van de zwembadstofzuiger.
 - Gebruik deze bodemzuiger NIET om giftige stoffen, ontvlambare en brandbare vloeistoffen (d.w.z. benzine) op te zuigen in de aanwezigheid van explosieve of ontvlambare dampen.
 - Probeer in geen geval zelf de zwembadstofzuiger te demonteren en de waaier, motor en batterij zelf te vervangen.
 - Steek nooit vingers en voorwerpen in de stofzuiger om de waaier te raken.
 - De ingebouwde batterij moet door een ervaren technicus worden verwijderd voordat deze wordt afgedankt.
 - Deze bodemzuiger bevat een batterij die enkel mag worden verwijderd door vakkundig personeel.
 - De bodemzuiger moet van het stroomnet worden losgekoppeld wanneer de batterij verwijderd wordt.
 - Voor meer informatie over het recyclen/verwijderen van batterijen raadpleegt u het hoofdstuk " DE BATTERIJ WEGWERPEN" in deze handleiding en neemt u contact op met uw lokale autoriteiten voor meer informatie.
 - De batterij moet veilig worden weggegooid in overeenstemming met de plaatselijke verordeningen of voorschriften.
 - Externe adapter en laadstekker:
 - Gebruik de externe adapter en laadstekker nooit voor iets anders dan het opladen van de batterij van de zwembadstofzuiger die in hetzelfde pakket wordt meegeleverd.
 - De externe adapter en oplaadstekker mogen niet buitenshuis worden gebruikt en mogen ook niet worden blootgesteld aan regen, vocht, vloeistoffen of hitte.
 - De transformator (of externe adapter) moet zich buiten zone 1 bevinden.

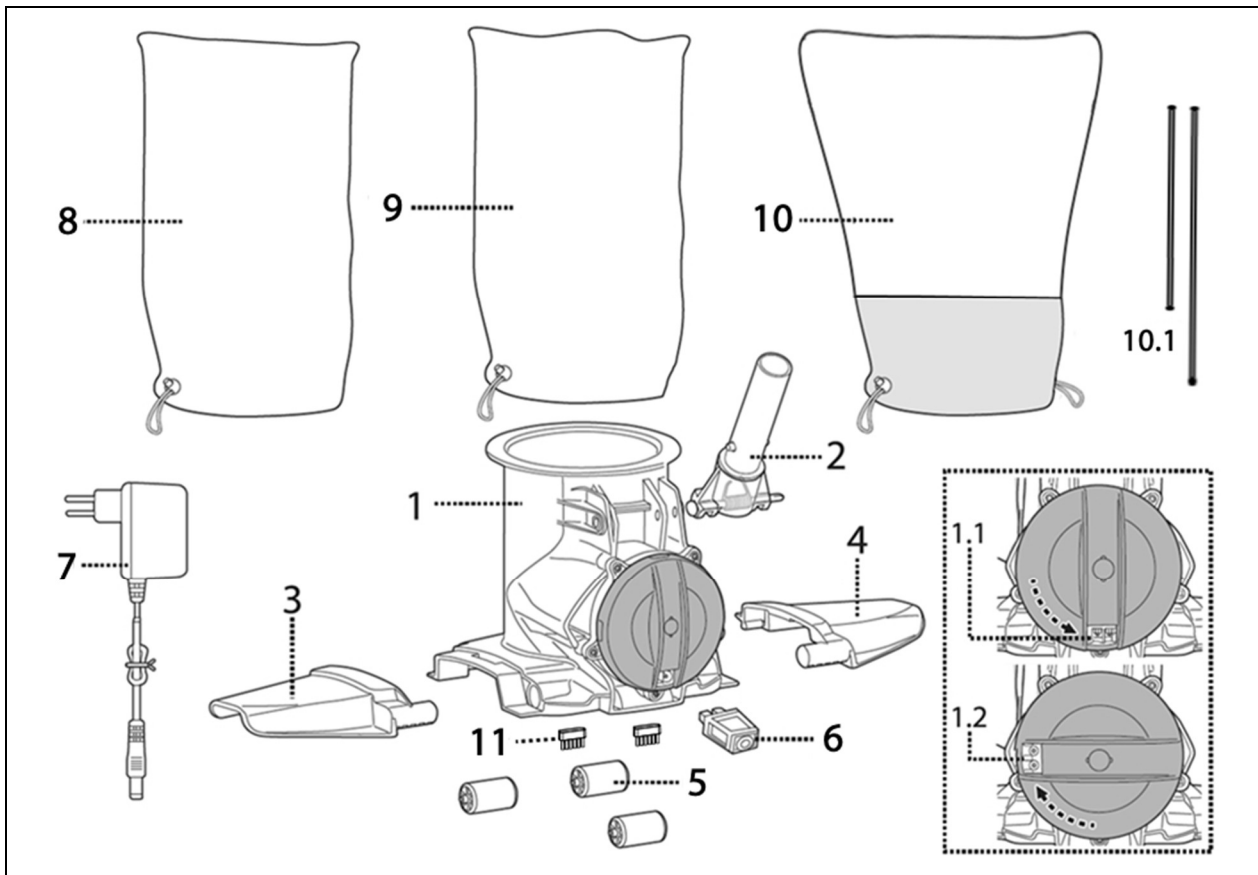
- Houd de externe adapter en oplaadstekker buiten bereik van kinderen.
- Gebruik nooit de externe adapter en laadstekker als er schade wordt gedetecteerd.
- Raak de externe adapter en de oplaadstekker NIET met natte handen aan.
- Steek de externe adapter niet in een oplaadstekker wanneer deze niet in gebruik is.
- Probeer nooit om de externe adapter of de lader te openen.
- Als de voedingskabel van de externe adapter beschadigd is, moet de externe adapter door de fabrikant of zijn servicemedewerker worden vervangen om gevaren van welke aard dan ook te voorkomen.
- De bodemzuiger en de laadstekker moeten volledig droog zijn voor u de zuiger herlaadt.

OPGEPAST!

- Deze zwembadstofzuiger is alleen bedoeld voor gebruik onder water; het is geen alleszuiger. Probeer de stofzuiger NIET te gebruiken om iets anders dan uw zwembad schoon te maken.
- Gebruik alleen originele accessoires die bij dit product zijn geleverd.
- Gebruik deze zwembadstofzuiger NIET direct na het toepassen van chloorshock. Het wordt aanbevolen om het zwembad eerst minimaal 24-48 uur te laten circuleren.
- Als u van plan bent om de zwembadstofzuiger in een zoutwaterzwembad te gebruiken, zorg er dan voor dat al het zout is opgelost voordat u het in het water plaatst.
- Het is niet raadzaam deze bodemzuiger tegelijkertijd te gebruiken met een andere automatische reiniger/reiniger.
- Pak geen harde, scherpe voorwerpen op met dit product, omdat deze de zwembadstofzuiger en de filter kunnen beschadigen.
- Om schade aan de externe adapter en de laadstekker te voorkomen, mag u de zwembadstofzuiger niet dragen via de kabel van de externe adapter of mag u niet aan de kabel trekken in de hoop deze los te koppelen van de stroombron en de laadstekker.
- Laad de zwembadstofzuiger binnenshuis in een schone, droge ruimte met goede ventilatie en uit de buurt van zonlicht.
- Laat de zwembadstofzuiger NIET langer dan 10 uur opladen.
- Als de zwembadstofzuiger gedurende langere tijd niet wordt gebruikt, maak hem dan van de laadstekker los en gebruik een vochtige doek om de zwembadstofzuiger en de accessoires schoon te maken en te drogen. Zorg ervoor dat u de zwembadstofzuiger oplaadt tot ongeveer 30% tot 50% van de batterijcapaciteit voordat die wordt opgeslagen. Bewaar in een goed geventileerde ruimte, uit de buurt van zonlicht, hitte, ontstekingsbronnen, chemicaliën in het zwembad en kinderen. Laad de zwembadstofzuiger om de drie maanden op.
- Alle acties met betrekking tot het demonteren van de hoofdeenheid (d.w.z. batterijverwijdering) kunnen alleen worden uitgevoerd door een geautoriseerde technicus.

Bovenstaande waarschuwingen en aandachtspunten zijn niet bedoeld om alle mogelijke gevallen van risico's en/of ernstig letsel op te nemen. Eigenaren van zwembaden/spa's moeten altijd extra voorzichtig zijn en gezond verstand gebruiken bij het gebruik van het product.

HOE DE ZWEMBADSTOFZUIGER WERKT



		Vervangend nummer			Vervangend nummer
1.	Hoofdeenheid	Model EV90: - EV90ASM04 EV90ASM04/US	6.	Opladstekker	EV90-09
		Model EV91: - EV91ASM04 EV91ASM04/US			
		Model EV95: - EV95ASM04 EV95ASM04/US			
1.1.	Oplaadpoort (met 2 oplaadpunten voor opladen)	-----	8.	Normale filterzak x 1	EV90-06-001
1.2.	Watersensoren	-----	9.	Fijnfilterzak (voor het filteren van fijne deeltjes) x 1	EV90-06-002
2.	Handgreep/Telescopische paalverbinding (met connector en veer)	EV90ASM01	10.	Slibzak	EV95-06-001 (alleen inbegrepen in model EV95)
			10.1.	Ondersteunende staven	
3.	Extensie links	EV90ASM02	11.	Borste x 2	EV90-10 (alleen inbegrepen in model EV91 / EV95)
4.	Extensie rechts				
5.	Wiel x 3	EV90ASM03			

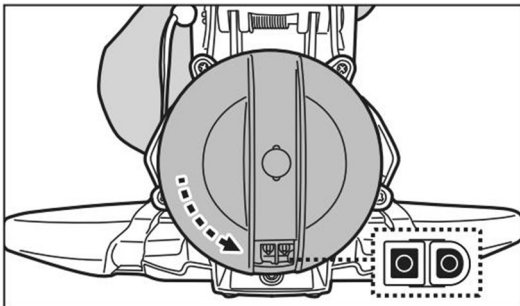
VAN START GAAN

Batterij opladen

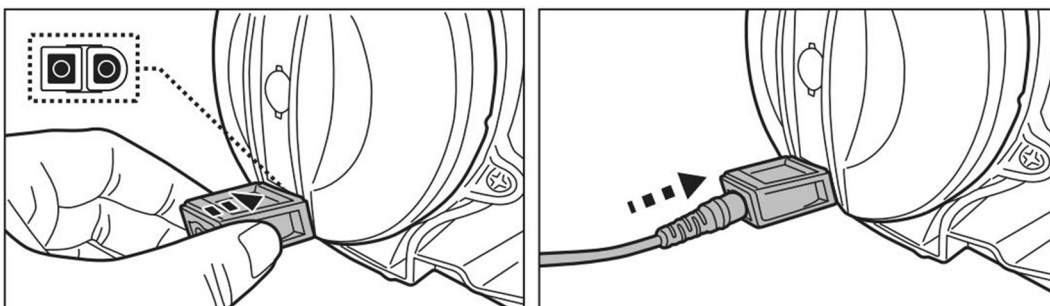
BELANGRIJKE OPMERKING: laad de zwembadstofzuiger volledig op (ongeveer 6 uur) voordat u het voor de eerste keer gebruikt.

WAARSCHUWING!

- Gebruik alleen de originele externe adapter en meegeleverde laadstekker.
 - Zorg ervoor dat de bodemzuiger en de laadpoort schoon en droog zijn voordat u de bodemzuiger installeert en oplaadt. (TIPS: gebruik een wattenstaafje om de laadpoort en de laadpennen te drogen.)
 - De laadpennen zijn waterdicht. Waterresten in de poort en rond de pennen kunnen echter leiden tot het natuurlijk voorkomen van vlekken (een bijproduct van een chemische reactie tussen water en elektrische stromen). Anders kunnen de vlekken worden verwijderd door licht te schrobben met een wattenstaafje dat in citroensap of azijn is gedrenkt.
1. Plaats het apparaat op een vlakke ondergrond. Stel de zwembadstofzuiger in op Uitschakelen/Opladen door de schakelknop linksom te draaien totdat deze klikt en de oplaadpoort volledig zichtbaar is.



2. Lijn de oplaadstekker uit en sluit deze aan op de oplaadpoort. **WAARSCHUWING!** Zorg ervoor dat u de laadstekker niet omkeert en zorg ervoor dat zowel de laadstekker als de oplaadpoort schoon en droog zijn voordat u ze oplaadt. TIPS: Gebruik een wattenstaafje om de oplaadpoort en punten te drogen. Steek de laadkabel van de externe adapter in de laadstekker.



3. Sluit de externe adapter aan op de stroombron. Het indicatielampje op de externe adapter wordt rood als de stofzuiger wordt opgeladen en groen als die volledig is opgeladen. Laad hem gedurende 5-6 uur op voor de beste prestaties.



- Koppel de externe adapter onmiddellijk los van de stroombron als u een van de volgende dingen ontdekt:
 - Aanstootgevende of ongebruikelijke geur
 - Extreme hitte
 - Vervorming, scheuren, lekken
 - Rook

4. Wanneer het opladen is voltooid, koppelt u de externe adapter los van de stroombron en haalt u de laadkabel uit de laadstekker. Trek de oplaadstekker uit het hoofdapparaat. **WAARSCHUWING!** Laat de laadstekker nooit in de stofzuiger terwijl die in het water is.

Normaal gesproken is de zwembadstofzuiger ontworpen om maximaal 75 minuten op een volledige lading te werken.

Opmerking: leeg de filterzak regelmatig. Overmatig vuil verhoogt de belasting van de motor en kan de bedrijfstijd verkorten.

OPMERKING: de oplaadbare lithium-ionbatterij is geclassificeerd als verbruiksartikel. Het heeft een beperkte levensduur en verliest geleidelijk zijn capaciteit om een lading vast te houden. Daarom zal de looptijd van de zwembadstofzuiger geleidelijk verminderen na herhaald laden en ontladen gedurende de hele levensduur van het product.

Zodra de levensduur van de batterij ten einde is, raadpleegt u de paragraaf "VERWIJDERING VAN DE BATTERIJ" voor instructies over het weggooien van de batterij.

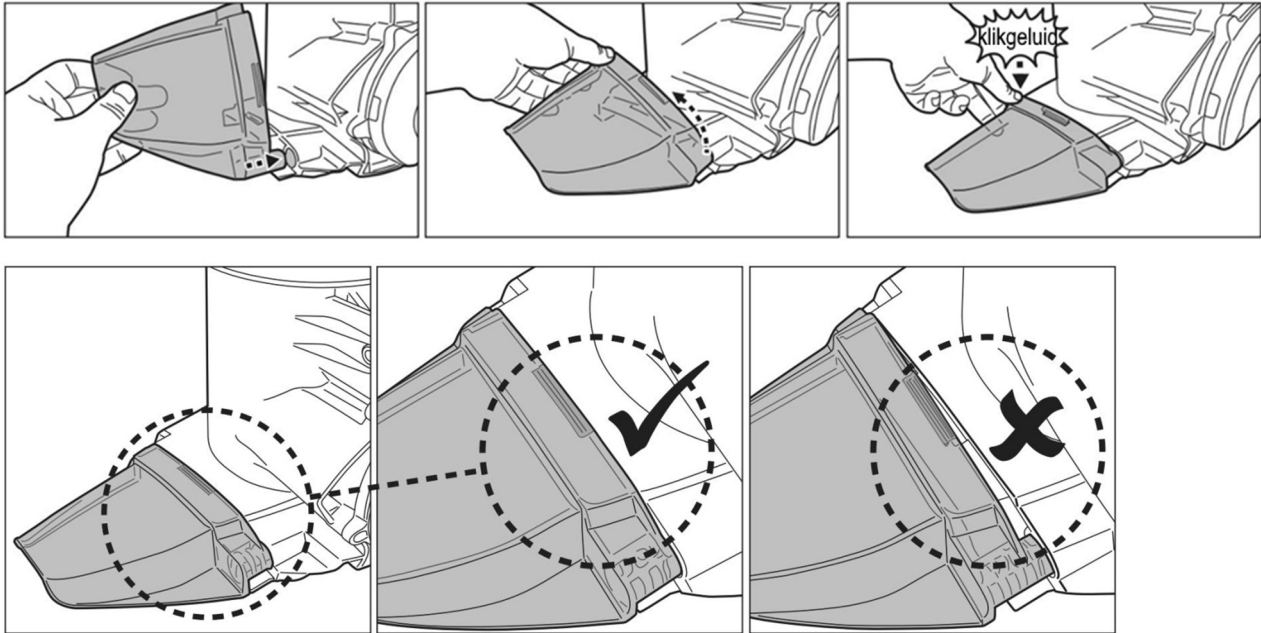
OPMERKING: Laat de zwembadstofzuiger ongeveer 30 tot 40 minuten rusten voordat u die opnieuw oplaadt.

Instellen voor gebruik

Deze zwembadstofzuiger heeft verwijderbare extensies die kunnen worden verwijderd om de smalle gebieden schoon te maken.

Extensie monteren

Steek de steel van de vleugel in het gat aan de zijkant van het hoofdlichaam. Draai de vleugel en druk erop om deze aan het hoofdlichaam te bevestigen. U hoort een "klikgeluid".

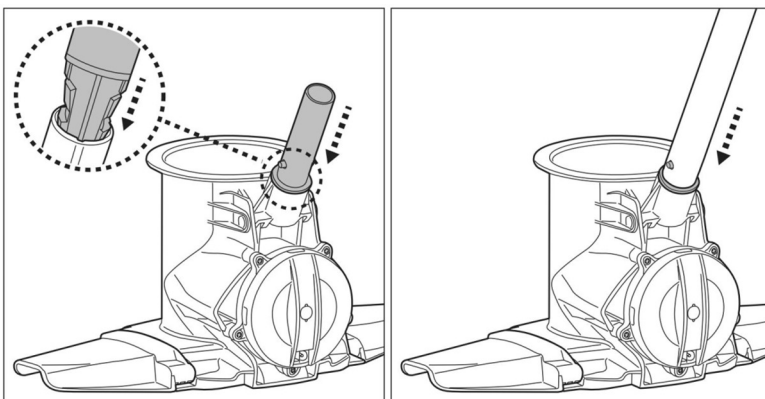


Extensie demonteren

Keer de stappen om om de extensie van het hoofdapparaat te demonteren.

Handgreep/Telescopische paalverbinding monteren

Lijn de handgreep/paalverbinding uit en plaats deze in de stijl zoals afgebeeld. Schuif de telescopische paal in de paalverbinding totdat de gaten aan de zijkant van de telescopische paal vastzitten aan de pinnen van de paalverbinding.



Montage van de Gewone & Fijnmazige Filterzak

Let op: gebruik de fijnmazige filterzak als uw zwembad gevuld is met fijner vuil en zand, en laat de gewone filterzak voor groter afval zoals bladeren.

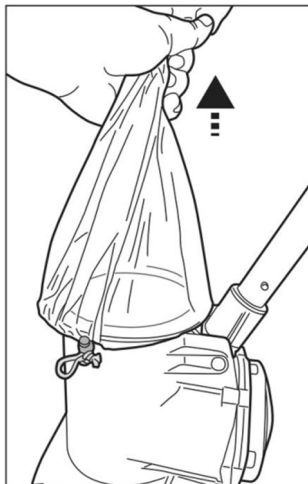


Spreid de filterzak over de bovenste opening van de hoofdbehuizing van de zwembadstofzuiger. Zorg ervoor dat het koord van de zak onder de flens van de bovenste opening is geplaatst.



Houd het snoer vast, druk op het snoer en duw het onder de flens.

TIPS: Om de filterzak vast te zetten, trekt u, wanneer u de koordbevestiging onder de flens duwt, aan één koord in plaats van twee koorden, zoals aangegeven in het diagram.



Til de zak op om ervoor te zorgen dat deze volledig is beveiligd voordat u de zwembadstofzuiger in water plaatst.

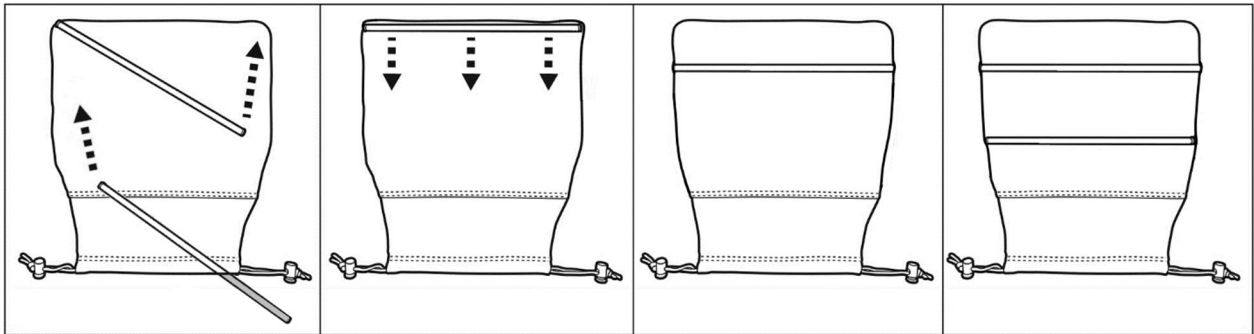
Montage van de Slibfilterzak

Opmerking: de slibfilterzak is ontworpen om fijnere deeltjes zoals slib op te vangen. De montage van de slibfilterzak vereist de installatie van de 2 staven, die worden gebruikt om de hoeveelheid water die in de zak wordt gehouden tijdens het ophalen te verminderen en om de beweging van de reiniger op de bodem van het zwembad te bevorderen.

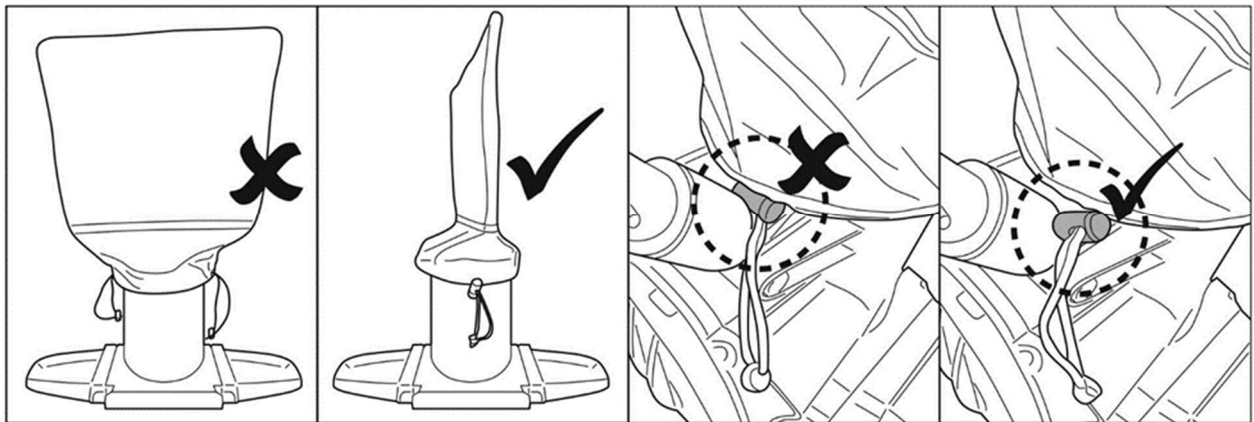
De 2 staven zijn verschillend van lengte. Plaats eerst de langste in de zak en lijk deze uit met de bodem van de zak. Houd de staaf horizontaal en trek hem naar beneden tot hij vastzit, geef er vervolgens een kleine ruk aan om hem te bevestigen.

Plaats de kortere staaf op dezelfde manier, houd deze waterpas en trek hem naar beneden totdat hij vastzit en bevestigd wordt, zoals op de onderstaande afbeelding.

Opmerking: zorg ervoor dat de 2 staven stevig zijn vastgezet in de filterzak voordat u de zuiger in het zwembad dompelt om te voorkomen dat ze tijdens het gebruik de waaier laten vallen en vastlopen.



Bevestig de slibfilterzak aan de smalle kant en met de voorkant naar de bovenste opening van het hoofdgedeelte van de zuiger. Zorg ervoor dat de filterzak volledig over de flens van de bovenste opening is gewikkeld en dat de koordbevestiging de beweging van het handvat niet belemmert (zie onderstaande afbeelding).

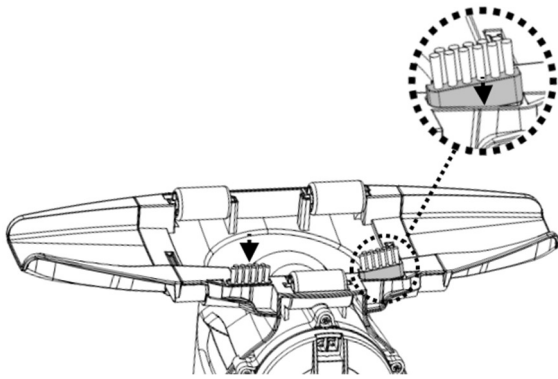


Raadpleeg de vorige instructies voor het monteren van het gewone filter om de 2 koordbevestigingen aan de zak te bevestigen. Bevestig het ene uiteinde van de koordbevestiging vóór het andere. Til ten slotte de zak op om ervoor te zorgen dat de slibzak volledig is vastgezet voordat u de bodemzuiger in het water zet.

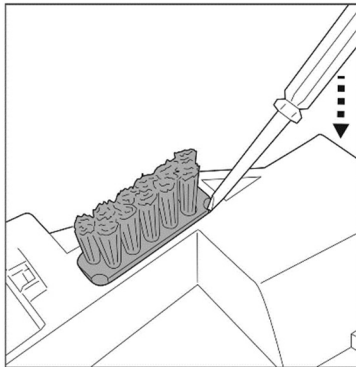
Let op: hoe fijner de filterzak, hoe sneller deze verstopt raakt. Het vuil zal terug worden afgevoerd naar het zwembad vanwege de hoge tegendruk die wordt veroorzaakt door de verstopte zak. Als de bodemzuiger het opgevangen vuil niet opneemt of begint te lekken, reinigt u de filterzak van binnen en van buiten. Raadpleeg het hoofdstuk "**DE FILTERZAK LEGEN**" om de zak te reinigen.

Borstelmontage

Lijn alle borstels uit en plaats ze in de inkepingen aan de onderkant van de bodemzuiger.



Om de borstel los te maken, steekt u de punt van een kleine schroevendraaier in de hoekinkeping en wrikt u de borstel omhoog.

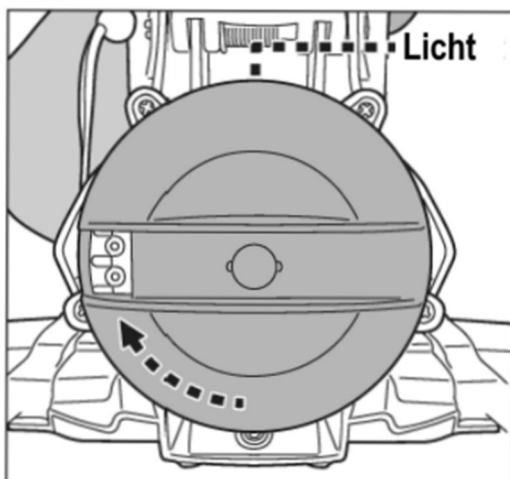


Vorbereiding zwembad

- Als de liner broos, beschadigd of gerimpeld is, neem dan contact op met een gekwalificeerde professional om de nodige reparaties uit te voeren of de liner te vervangen voordat u de zwembadstofzuiger gebruikt.
- Als u een zoutwaterzwembad gebruikt, zorg er dan voor dat al het zout is opgelost voordat u de zwembadstofzuiger in het water plaatst.

GEBRUIK

- 1) Breng uw zwembadstofzuiger naar de zijkant van uw zwembad. Draai de schakelknop met de klok mee totdat deze klikt om de watersensoren bloot te leggen. Het licht bovenaan wordt blauw. Dompel de zwembadstofzuiger onder in water, het licht wordt onmiddellijk groen en de waaier begint na 4-5 seconden te draaien.

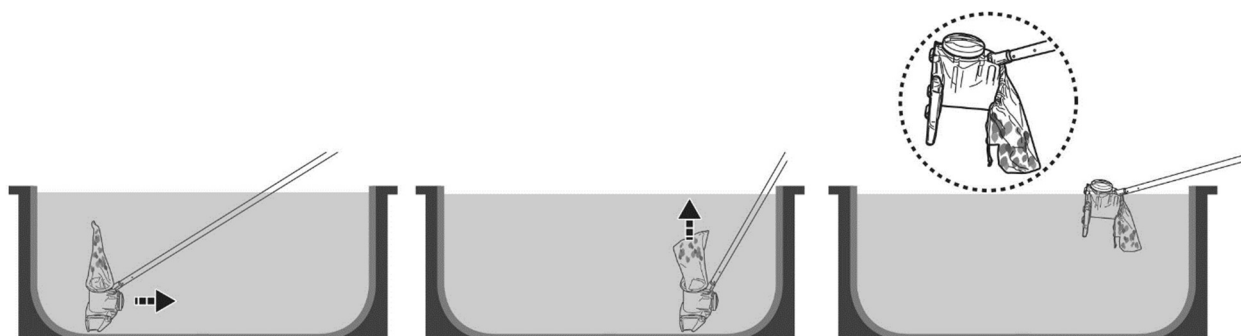


Kleur licht	
Blauw	Ingeschakeld (klaar voor gebruik)
Blauw-Flikkerend	Batterijniveau is laag
Groen	In bedrijf
Groen-Flikkerend	Batterijniveau is laag
Groen licht uit	Batterij is leeg (moet worden opgeladen)
Rood	Waaier stopt (waaier verstopt).

Om vuil effectief op te zuigen, moet u ervoor zorgen dat de zwembadstofzuiger plat op de vloer van het zwembad wordt gelegd terwijl u de stofzuiger in regelmatige beweging heen en weer over afvalresten stuurt om de resten op te vangen. Vuil wordt verzameld aan de voorkant, zij- en achterkant om de filterzak op te vullen.

Overmatig vuil en afval in het zwembad kunnen de waaier verstoppen, die automatisch zou stoppen om de motor te beschermen en het indicatielampje zou rood worden. Verwijder de stofzuiger uit het zwembad en schakel de stofzuiger uit voordat u de filterzak ontstopt en leegmaakt als deze vol is. Om de werking te hervatten, draait u de schakelknop linksom totdat Uitschakelen is geselecteerd en draait u de knop vervolgens met de klok mee om Inschakelen te selecteren.

2) Om de zwembadstofzuiger te verwijderen, brengt u de stofzuiger naar het zwembad en draait u hem ondersteboven voordat u hem optilt. Dit wordt gedaan om te voorkomen dat puin zich terug in het zwembad verspreidt (vooral als u de fijne filterzak gebruikt) en om te voorkomen dat de paal daarbij wordt gebogen.



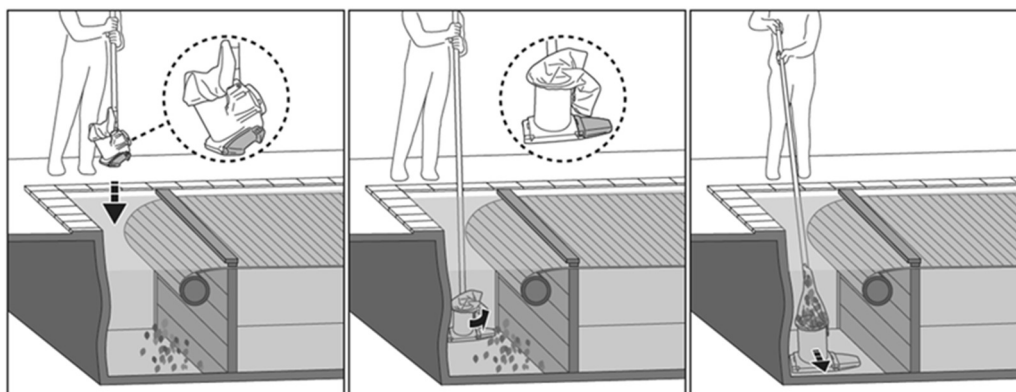
Zodra de zwembadstofzuiger uit het water is, stopt de waaier binnen 2-3 seconden met draaien. Het LED-lampje wordt blauw. Wanneer het batterijniveau laag is, knippert het blauwe lampje.

- 3) Spoel de zwembadstofzuiger na elk gebruik met zoet water. Gebruik GEEN agressieve schoonmaakmiddelen..
- 4) Droog de laadpoort en pinnen grondig (TIPS: gebruik wattenstaafje om ze te drogen)

Zuigen van het dieperliggende compartiment van een Automatische Lamellenafdekkingen

WAARSCHUWING! Houd op voorhand rekening met alle veiligheidswaarschuwingen in de handleiding van uw automatische lamellenafdekking met betrekking tot deze reinigingshandeling.

- De minimale afstand die nodig is voor het onderdompelen van de zuiger in het dieperliggende compartiment is 30 cm (12in).



- Verwijder de vlonder en rol de lamellenafdekking van het zwembad af volgens de instructies in de handleiding van uw zwembadafdekking.
- Maak een verlengstuk van de bodemzuiger los voordat u deze in het zwembad dompelt.
- Bevestig een uitschuifbare steel (niet meegeleverd) aan de zuigerhandgreep zoals aangegeven in de handleiding.
- Schakel de bodemzuiger in en lijn hem vervolgens uit zoals aangegeven in de bovenstaande afbeelding voordat u hem onderdompelt.
- Zodra de reiniger de zwembadbodem bereikt heeft, moet u deze evenwijdig met de zwembadlengte plaatsen, zoals hierboven aangegeven. U kunt nu beginnen met het zuigen van het verzonken compartiment.

FILTERZAK LEGEN

OPGEPAST! Zorg ervoor dat de zwembadstofzuiger UIT is voordat u de filterzak schoonmaakt.

Plaats de stofzuiger op een vlakke ondergrond. Druk op de koordsluiting om de zak van het hoofdgedeelte te halen. Het wordt aanbevolen om de filterzak met spatwater te reinigen. Als borstelen noodzakelijk wordt geacht, gebruik dan alleen een zachte borstel om het voorzichtig schoon te maken om schade te voorkomen.

ONDERHOUD & OPSLAG

OPMERKING:

1. Zorg ervoor dat u de plaatsen rond de laadpoort en de watersensoren na elk gebruik reinigt en droogt om de vorming van vlekken te voorkomen (bijproduct van een natuurlijke chemische reactie tussen elektrische stroom en water). Anders kunnen de vlekken worden verwijderd door licht te schrobben met een in citroensap of azijn gedrenkt wattenstaafje.
2. De batterij zal ontladen tijdens de opslag. Laad de bodemzuiger tot ongeveer 30% - 50% van de laadcapaciteit op voordat u hem opbergt.
3. Herlaad de batterij minstens om de drie maanden wanneer hij niet in gebruik is.
 - Trek de externe adapter uit het stopcontact en de laadkabel uit de laadstekker.
 - Maak accessoires los van de zwembadstofzuiger. Spoel indien nodig het zwembadvacuüm en de accessoires met zoet water. Gebruik GEEN agressief schoonmaakmiddel.
 - Zorg ervoor dat u de zwembadstofzuiger droogt voordat u die opbergt.
 - Gebruik een vochtige doek om de zwembadstofzuiger en de accessoires te reinigen en te drogen.
 - Bewaar ze in een goed geventileerde ruimte, uit de buurt van zonlicht, hitte, ontstekingsbronnen, chemicaliën in het zwembad en van kinderen. De omgevingstemperatuur voor opslag moet 10°C - 25°C zijn. **OPMERKING:** Een hogere opslagtemperatuur kan de levensduur van de batterij verkorten.

WAARSCHUWING!

Probeer in geen geval zelf de hoofdunit te demonteren en de waaier, motor en batterij zelf te vervangen.

OPGEPAST!

- Overmatige hitte kan de batterij beschadigen en de levensduur van uw zwembadstofzuiger verminderen.
- Raadpleeg uw dealer voor het vervangen van de batterij als het volgende gebeurt:
 - Batterij wordt niet volledig opgeladen.
 - De gebruiksduur van de batterij is aanzienlijk korter. Bekijk en noteer de looptijden van de eerste paar ingebruiknames (op volledige lading). Gebruik deze looptijden als referentiepunt voor vergelijking met looptijden in de toekomst.
- De batterij moet uit de zwembadstofzuiger worden verwijderd voordat deze wordt afgedankt.
- De batterij moet veilig worden weggegooid in overeenstemming met de plaatselijke verordeningen of voorschriften.

OPMERKING: Onjuist onderhoud kan de levensduur van de batterij verkorten en daardoor de capaciteit beïnvloeden.

VERWIJDERING VAN DE BATTERIJ (Uit te voeren door geautoriseerde technicus)

Uw zwembadstofzuiger is uitgerust met een onderhoudsvrije oplaadbare lithium-ionbatterij, die op de juiste manier moet worden weggegooid. Recycling is vereist; Neem contact op met uw lokale autoriteit voor meer informatie.

WAARSCHUWING! Probeer nooit een batterij uit elkaar te halen

- Verwijder alle persoonlijke items zoals ringen, armbanden, kettingen en horloges wanneer de accu niet is aangesloten op de zwembadstofzuiger.
- Een batterij kan een kortsluitstroom produceren die hoog genoeg is om een ring (of vergelijkbaar voorwerp) aan metaal te lassen, wat een ernstige brandwonde in het proces veroorzaakt.
- Draag volledige oogbescherming, handschoenen en beschermende kleding wanneer de batterij wordt verwijderd.
- Raak de draden helemaal niet aan en vermijd contact tussen de draden en metalen voorwerpen, die vonken en/of kortsluiting van de batterij kunnen veroorzaken.
- Rook nooit en laat geen vonk of vlam in de buurt van de batterij of de zwembadstofzuiger.
- Stel de batterij niet bloot aan vuur of intense hitte, omdat dit kan leiden tot een explosie.

OPGEPAST!

Als een batterij lekt, vermijd dan contact met de lekkende vloeistoffen en plaats de beschadigde batterij in een plastic zak.

- Als lekkende vloeistoffen in contact komen met huid en kleding, onmiddellijk wassen met veel zeep en water.
- Als lekkende vloeistoffen in contact komen met de ogen, wrijf ze dan niet uit en spoel ze onmiddellijk gedurende minimaal 15 minuten met koud stromend water. Roep zo snel mogelijk medische hulp in.

Hoe de accu te verwijderen, enkel voor het weggooien van de batterij (Uit te voeren door een geautoriseerd technicus)

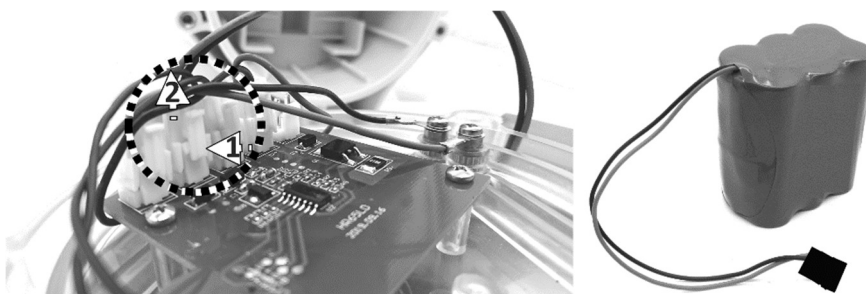
Aanbevolen gereedschap (niet inbegrepen): schroevendraaier.

WAARSCHUWING! De zwembadstofzuiger moet worden losgekoppeld van de netvoeding voordat u de accu verwijdert.

1. Plaats de zwembadstofzuiger op een vlakke ondergrond. Gebruik de schroevendraaier om de schroeven op de achterklep los te draaien. Verwijder de batterij uit de kamer.



2. Om de batterijverbindingsdraad los te maken, drukt u op de clip van de connector om deze eruit te trekken. **OPMERKING:** Wikkel de connector onmiddellijk met isolatietape in om kortsluiting door het contact van beide draadaansluitingen te voorkomen.



PROBLEMEN OPLOSSEN

Probleem	Mogelijke Oorzaak	Oplossing
Reiniger begint niet onder water te werken (na 5-10 seconden).	Bevlekte watersensoren	De vlekken kunnen worden verwijderd met een wattenstaafje gedrenkt in sap van citroen of azijn om de gebieden rond de watersensoren schoon te maken.
	Lege batterij	Laad de zwembadstofzuiger op.
	Geblokkeerd door de staaf van de slibfilterzak	Haal de bodemzuiger uit het zwembad en schakel hem uit. Monteer de staaf weer op de zak en zorg ervoor dat deze op zijn plaats zit.
Vangt het puin niet op / vuil lekt in het zwembad	Lage batterij	Laad de zwembadstofzuiger op.
	Vastgelopen waaier	Verwijder de zwembadstofzuiger uit het water en draai de knop linksom om deze uit te schakelen. Controleer en kijk of de waaier is vastgelopen door groot vuil. Verwijder het vuil. Neem indien nodig contact op met uw dealer voor verdere instructies. WAARSCHUWING! Zorg ervoor dat de zwembadstofzuiger is uitgeschakeld voordat het apparaat wordt onderhouden.
	Geblokkeerd door de staaf van de slibfilterzak	Haal de bodemzuiger uit het zwembad en schakel hem uit. Monteer de staaf weer op de zak en zorg ervoor dat deze op zijn plaats zit.
	Gebroken waaier	Neem contact op met uw dealer voor vervanging.
	Filterzak is vol / verstopt	Reinig de filterzak.
De oplaadtijd is langer dan geadverteerd	Bevlekte oplaadpennen	De vlekken kunnen worden verwijderd met een wattenstaafje gedrenkt in sap van citroen of azijn om de gebieden rond de oplaadpennen schoon te maken.
Reiniger kan niet worden opgeladen	Beschadigde batterij	Neem contact op met dealer voor het vervangen van de batterij. WAARSCHUWING! Vervang de batterij NIET zelf. Dit kan ernstig of dodelijk letsel tot gevolg hebben en de garantie vervalt.
	Laadstekker is niet correct aangesloten op externe adapter en zwembadstofzuiger	Raadpleeg de handleiding en sluit de oplaadaccessoires correct aan.
	Externe adapter is defect	Neem contact op met dealer voor vervanging. WAARSCHUWING! Het gebruik van de verkeerde externe adapter leidt tot beschadiging van de zwembadstofzuiger/batterij en maakt de garantie ongeldig.
Milieuprogramma's, WEEE Europese Richtlijn		
	Gelieve de regelgeving van de Europese Unie na te leven en zo het milieu te beschermen. Voer afgedankte elektrische apparatuur af naar een speciaal gemeentelijk inzamelpunt dat elektrische en elektronische apparatuur correct recycleert. Werp het niet weg bij ongesorteerd afval. Haal eventuele verwijderbare batterijen uit de afgedankte apparatuur.	
	© 2020 Kokido Development Ltd. 20009015 Alle rechten voorbehouden. Niets van dit document mag worden vermenigvuldigd of doorgegeven in welke vorm of op welke wijze dan ook, zij het elektronisch, mechanisch, op fotokopie, opgenomen of op enige andere wijze, zonder de voorafgaande schriftelijke toestemming van Kokido Development Ltd. (V1)	

Als een kopie van deze handleiding vereist is, neem dan contact op met onze klantenservice via e-mail: customerservice@kokido.com


BEWAAR DEZE INSTRUCTIES

AVVERTENZE DI SICUREZZA & ISTRUZIONI

Le informazioni contenute in questo Manuale di Istruzioni vi aiuteranno a far funzionare l'oggetto in sicurezza, a proteggere voi stessi e gli altri da pericoli e a prevenire danni al dispositivo e ad altri beni.

CONSERVARE LE PRESENTI ISTRUZIONI

ATTENZIONE!

- Questo non è un giocattolo. I bambini devono essere tenuti lontani da questo apparecchio e dai suoi accessori
- Non permettere ai bambini di usare questo prodotto.
- Il presente apparecchio non deve essere utilizzato da persone con ridotte capacità fisiche, sensoriali o mentali o se privi di esperienza e conoscenza, salvo siano soggetti a supervisione o se gli sono state fornite istruzioni inerenti all'uso dell'apparecchio da parte di un responsabile incaricato della loro sicurezza.
- Non è consentito ai minori di giocare con questo prodotto.
- Non è consentita ai minori la manutenzione e la pulizia del pulitore
- Assicurarsi che il pulitore della piscina sia completamente immerso nell'acqua prima di avviare il funzionamento. Il livello minimo dell'acqua richiesto per azionare l'aspirapolvere della piscina deve coprire l'intera aspirazione della piscina. Il funzionamento del pulitore per piscina quando non è immerso correttamente nell'acqua potrebbe danneggiare l'unità e di conseguenza annullare la garanzia.
- Massima profondità di utilizzo: 3m.
- Massima temperatura di utilizzo: da 5°C (41°F) a 35°C (95°F)
-  Unità di alimentazione rimovibile (adattatore esterno).
- L'aspiratore per piscina deve essere ricaricato solo con l'adattatore esterno e la spina di ricarica forniti con questo prodotto.
- Per ricaricare la batteria, utilizzare solo l'unità di alimentazione rimovibile (numero modello adattatore esterno: DSS12D-1351000-B / DSS12D-1351000-C / DSS12D-1351000-D/ LX135100U) fornita con questo pulitore per piscina per caricare la batteria.
- Collegare l'adattatore esterno a una presa elettrica tramite il dispositivo differenziale (RCD)/ un interruttore di messa a terra (GFCI). In caso di dubbi, consultare un elettricista professionista qualificato.
- Non utilizzate il pulitore se risulta danneggiato.
- Sostituire le parti danneggiate con altre dotate dell'apposita certificazione che è stata fornita dal distributore o fabbricante.
- Prima di disconnettere il pulitore dal carica batterie, staccare l'alimentazione, staccare l'adattatore dalla presa di tensione e dal carica batterie.
- Scollegare l'aspiratore della piscina dalla rete di alimentazione e assicurarsi che l'aspiratore della piscina sia spento prima di eseguire la

- manutenzione regolare, come la pulizia del filtro.
- Non tentare di sostituire la batteria ricaricabile agli ioni di litio installata.
 - NON maneggiare il pulitore, l' adattatore esterno e la spina di ricarica mentre è in carica con arti bagnati e senza scarpe.
 - Il pulitore non può essere utilizzato mentre ci sono persone o animali in piscina.
 - Non utilizzare il pulitore con il sacchetto filtro danneggiato, altrimenti la garanzia verrà annullata immediatamente.
 - Rischio di intrappolamento: il pulitore funziona in aspirazione, non permettere a nessuna parte del corpo o agli indumenti di prendere contatto con la bocca di aspirazione del pulitore durante l'utilizzo.
 - Non inserite parti del corpo, vestiti o altri oggetti all'interno delle aperture o delle parti in movimento del pulitore.
 - NON utilizzare questo pulitore per raccogliere sostanze tossiche, infiammabili e liquidi combustibili (ad es. Benzina) in presenza di fumi esplosivi o infiammabili.
 - Non tentare di sostituire la girante, il motore e la batteria da soli
 - Non inserire mai le dita né altri oggetti per toccare la ventola.
 - La batteria integrata deve essere rimossa da un tecnico qualificato prima di essere scaricata..
 - Quest' pulitore contiene una batteria che dev'essere rimossa soltanto da personale qualificato.
 - L' pulitore deve essere disconnesso dall'alimentazione principale quando la batteria viene rimossa.
 - Per i dettagli relativi al riciclaggio / smaltimento della batteria, consultare la sezione "SMALTIMENTO DELLA BATTERIA" in questo manuale e contattare le autorità locali per ulteriori informazioni.
 - La batteria dev'essere smaltita in modo sicuro, secondo quanto stabilito dalle ordinanze e i regolamenti locali.
- Adattatore esterno e spina di ricarica:
- Utilizzare l'adattatore esterno e la spina di ricarica unicamente per ricaricare il pacco batterie del pulitore consegnato con la fornitura.
 - L'adattatore esterno e la spina di ricarica non devono essere usati all'aperto né esposti a pioggia, umidità, qualsiasi tipo di liquido o calore.
 - Il trasformatore (o adattatore esterno) dev'essere collocato fuori dalla zona 1
 - Mettere l'adattatore esterno e il spina di ricarica fuori dalla portata dei bambini.
 - Non utilizzate l'adattatore esterno e il spina di ricarica se sono danneggiati.
 - Non maneggiate l'adattatore esterno e il spina di ricarica con le mani bagnate.
 - Tenete l'adattatore disconnesso dalla rete elettrica quando non è in uso.
 - Non tentate mai di aprire l'adattatore esterno e il spina di ricarica

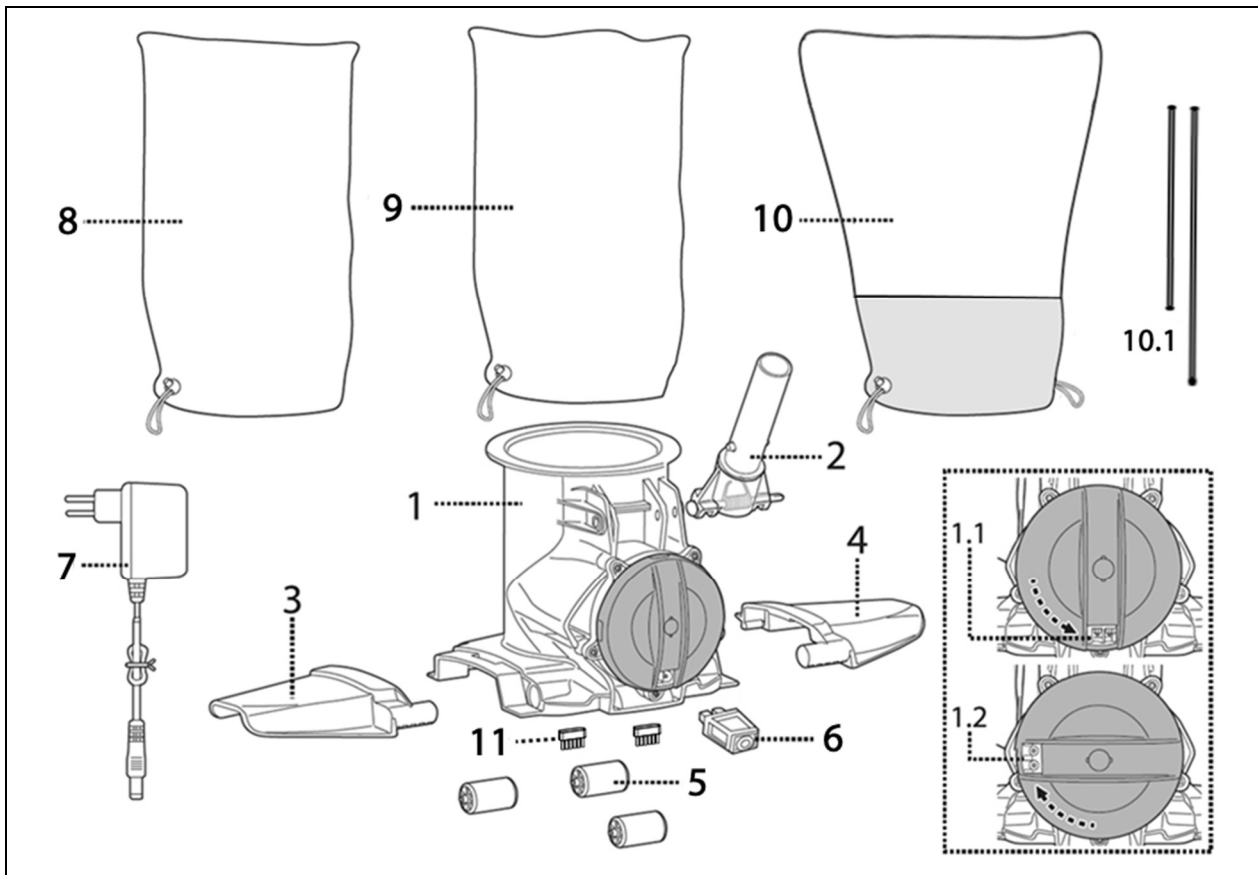
- Se il cavo di alimentazione dell'adattatore esterno è danneggiato, l'adattatore esterno deve essere sostituito dal produttore o dal suo agente di servizio per evitare rischi di qualsiasi genere.
- Accertarsi che il pulitore e il spina di ricarica siano completamente asciutti prima di iniziare la ricarica.

ATTENZIONE!

- Questo pulitore è stato progettato per essere utilizzato solamente sott'acqua; non è un pulitore universale. Non utilizzate il pulitore se non per pulire la vostra piscina o SPA.
- Utilizzate solamente gli accessori originali di corredo al prodotto.
- Non utilizzare il pulitore immediatamente dopo un trattamento shock. Si raccomanda di lasciare circolare l'acqua della piscina per almeno 24/48 ore.
- Se usi una piscina con acqua salata, accertati che tutto il sale si sia dissolto prima di collocare il pulitore nell'acqua.
- Non è raccomandato l'uso del pulitore contemporaneamente a un altro pulitore automatico/pulitore.
- Evitare di raccogliere oggetti pesanti e a punta con questo prodotto. Possono danneggiare il pulitore e il suo filtro.
- Per evitare danni all'adattatore esterno e alla spina di ricarica, non trasportare il pulitore dal cavo dell'adattatore esterno/spina di ricarica né tirare la corda per disconnetterlo dalla fonte di alimentazione e dalla spina di ricarica
- Caricare il pulitore per piscina al chiuso in un'area pulita e asciutta con una buona ventilazione e lontano dalla luce solare.
- Non lasciate il pulitore in carica per più di 10 ore.
- Se il pulitore non viene utilizzato per un lungo periodo, scollegatelo dal spina di ricarica e utilizzate un panno umido per pulire e asciugare il pulitore e i suoi accessori. Accertarsi di portare la capacità della batteria del robot tra il 30% e il 50% prima di conservarlo. Riponetelo in un area ben ventilata lontano dalla luce del sole, dal calore, dai prodotti chimici e dai bambini.
- Tutte le azioni riguardanti lo smontaggio dell'unità principale (es. Lo smaltimento della batteria) possono essere eseguite solo da un tecnico autorizzato.

Le avvertenze e precauzioni che precedono non sono intese a comprendere tutti i possibili rischi e/o lesioni. I proprietari di piscine/spa dovranno avere una speciale attenzione e usare il buon senso comune durante l'uso del prodotto.

COME FUNZIONA IL PULITORE DELLA PISCINA



		Numero Sostituzione			Numero Sostituzione
1.	Unità principale	Modello EV90: - EV90ASM04 EV90ASM04/US	6.	Spina di ricarica	EV90-09
		Modello EV91: - EV91ASM04 EV91ASM04/US	7.	Adattatore	EV90-08-002 (EU) EV90-08-002/US(USA) EV90-08-002/AU (Australia / Nuova Zelanda)
		Modello EV95: - EV95ASM04 EV95ASM04/US			
1.1.	Porta di ricarica (con 2 pin di ricarica per la ricarica)	-----	8.	Sacchetto filtro normale x 1	EV90-06-001
1.2.	Sensori d'acqua	-----	9.	Sacco filtrante fine (per filtrare le particelle fini) x 1	EV90-06-002
2.	Connettore impugnatura / palo telescopico (con connettore e molla)	EV90ASM01	10.	Sacco di limo	EV95-06-001 (incluso solo nel modello EV95)
			10.1.	Aste di sostegno	
3.	Estensione sinistra	EV90ASM02	11.	Spazzole x 2	EV90-10 (incluso solo nel modello EV91 / EV95)
4.	Estensione destra				
5.	Ruota x 3				

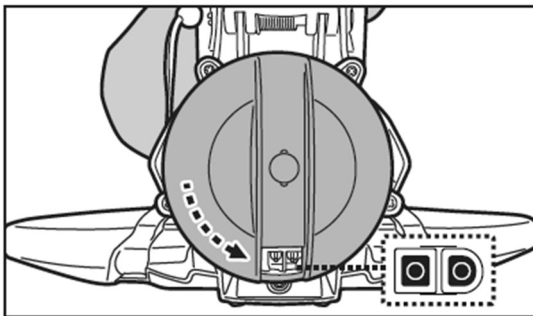
PER INIZIARE

Caricare la batteria

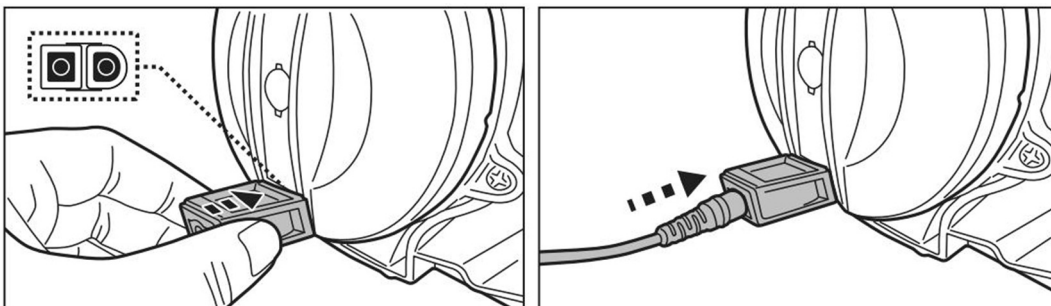
NOTA IMPORTANTE: Caricare completamente il pulitore (circa 6 ore) prima di usarlo per la prima volta.

ATTENZIONE!

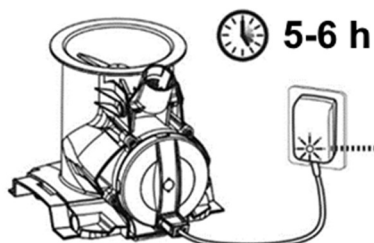
- Usare soltanto l'adattatore esterno originale e la spina di ricarica fornito.
 - Accertarsi che il pulitore e la porta di carica sono puliti ed asciutti prima dell'installazione e della ricarica. (SUGGERIMENTI: utilizzare un cotton fioc per asciugare la porta di ricarica e i perni di ricarica)
 - I pin di ricarica sono impermeabili. Tuttavia, i resti d'acqua nel porto e attorno ai perni potrebbero provocare la presenza naturale di macchie (un sottoprodotto della reazione chimica tra acqua e correnti elettriche). Altrimenti, le macchie possono essere rimosse strofinando leggermente con un batuffolo di cotone imbevuto di succo di limone o aceto.
1. Posizionare l'unità su una superficie piatta e uniforme. Impostare il pulitore per piscina in modalità Spegnimento / Ricarica ruotando la manopola di commutazione in senso antiorario finché non scatta ed espone completamente la porta di ricarica.



2. Allineare e collegare la spina di ricarica alla porta di ricarica. **ATTENZIONE!** Assicurarsi di non invertire la spina di ricarica e assicurarsi che sia la spina che la porta di ricarica siano pulite e asciutte prima di caricarle. **SUGGERIMENTI:** usa un batuffolo di cotone per asciugare la porta di charging e i perni. Collegare il cavo di ricarica dell'adattatore esterno alla presa di ricarica.



3. Collegare il cavo di ricarica dell'adattatore esterno all'alimentatore. La luce dell'indicatore esterno si accenderà di rosso quando il pulitore è in carica e di verde quando sarà completamente carico. Caricalo per 5- 6 ore per ottenere le migliori prestazioni.



Luce ROSSA – Ricarica
Luce VERDE - Caricato

- Spegnere e disconnettere immediatamente l'adattatore esterno dalla fonte di alimentazione se si verifica una delle seguenti condizioni:
 - Odore sgradevole o insolito
 - Calore eccessivo
 - Deformazione, rotture, fughe
 - Fumo
- 4. Quando la ricarica è completa, scollegare l'adattatore esterno dalla fonte di alimentazione e scollegare il cavo di ricarica dalla presa di ricarica. Scollegare la spina di ricarica dall'unità principale. **ATTENZIONE!** Non abbandonare per nessun motivo di ricarica mentre il pulitore per piscina è in acqua.

Normalmente il pulitore per piscina è progettato per funzionare fino a 75 minuti se completamente carico.

NOTA: Pulire regolarmente il sacchetto filtro. Detriti eccessivi all'interno del sacchetto filtro aumentano il carico per il funzionamento del motore e di conseguenza riducono la durata operativa..

IMPORTANTE: la batteria ricaricabile agli ioni di litio è classificata come un articolo di consumo. Ha una durata di vita limitata e perderà gradualmente la sua capacità di mantenere la carica. Pertanto, la durata di funzionamento del pulitore si ridurrà gradualmente dopo ripetute cariche ed utilizzi..

Una volta terminata la vita utile della batteria, leggere la sezione “SMALTIMENTO DELLA BATTERIA” per ottenere istruzioni per lo smaltimento della batteria.

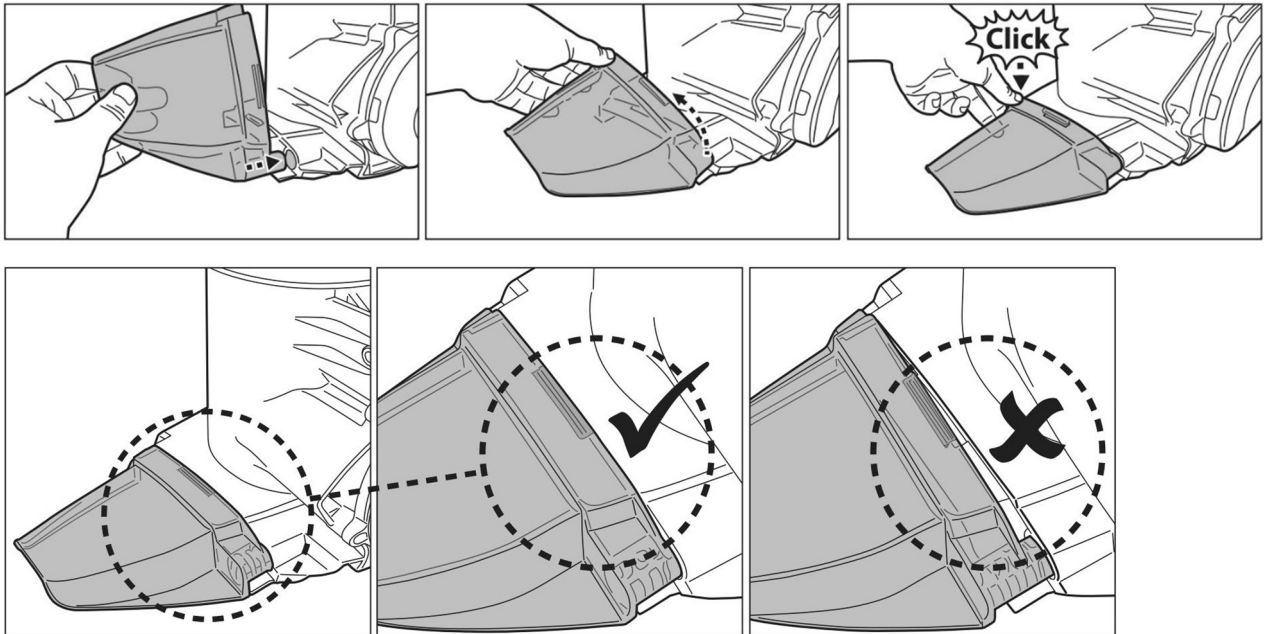
NOTA: Lasciare riposare il pulitore da 30 a 40 minuti prima di ricaricarlo di nuovo..

Montaggio prima dell'uso

Questo pulitore per piscina ha estensioni rimovibili che possono essere rimosse per pulire le aree strette.

Assemblaggio estensione laterale

Inserire lo stelo dell'ala nel foro sul lato del corpo principale. Ruota l'ala e premi su di essa per fissarla al corpo principale. Sentirai un "clic".

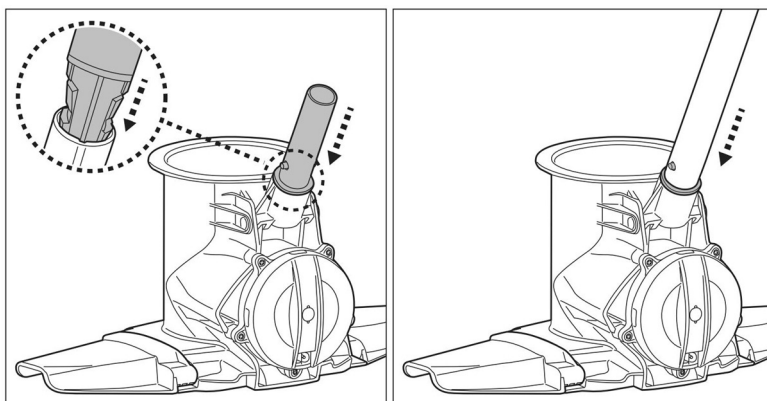


Smontaggio estensione laterale

Invertire i passaggi per smontare l'estensione dall'unità principale.

Assemblaggio connettore impugnatura / palo telescopico

Allineare e inserire il connettore maniglia / palo nel montante come mostrato. Far scorrere l'asta telescopica nel connettore del palo fino a quando i fori sul lato dell'asta telescopica sono fissati ai pin del connettore del palo.



Assemblaggio sacchetto filtro regolare e fine

Nota: utilizzare il sacchetto filtro fine se la piscina è piena di detriti e sabbia più fini e lasciare il sacchetto filtro normale per detriti più grandi come le foglie.



Distribuire il sacchetto filtro sull'apertura superiore del corpo principale del pulitore per piscina. Assicurati che il cavo della borsa sia posizionato sotto la flangia dell'apertura superiore.



Con il cavo in mano, premere sul dispositivo di fissaggio del cavo e spingerlo sotto la flangia.

SUGGERIMENTI: per fissare il sacchetto filtro, quando si spinge il dispositivo di fissaggio del cavo sotto la flangia, tirare un cavo invece di due cavi come mostrato nel diagramma.



Solleverlo il sacco per assicurarsi che sia completamente fissato prima di distribuire l'aspirapolvere per piscina in acqua.

Assemblaggio sacco di limo

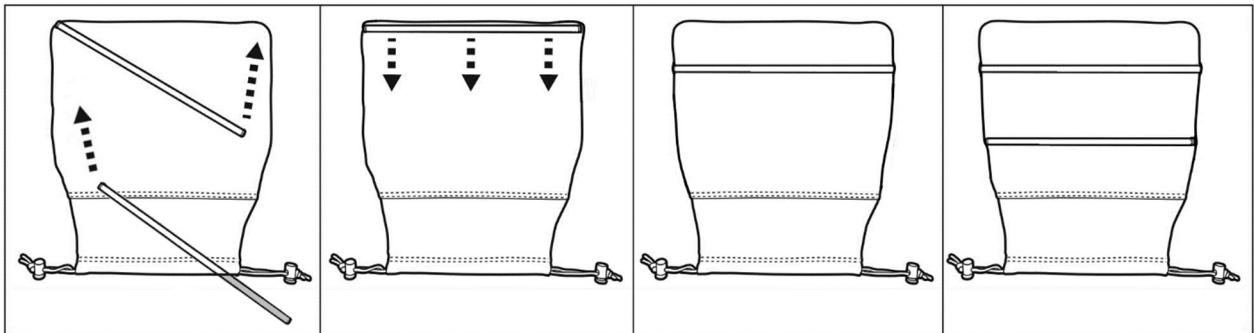
Nota: il sacco filtrante del limo è progettato per catturare le particelle più fini come il limo.

Il montaggio del sacco filtro limo richiederà l'installazione delle 2 aste, che servono per ridurre la quantità di acqua trattenuta nel sacco durante il recupero e per facilitare il movimento del pulitore sul fondo della piscina.

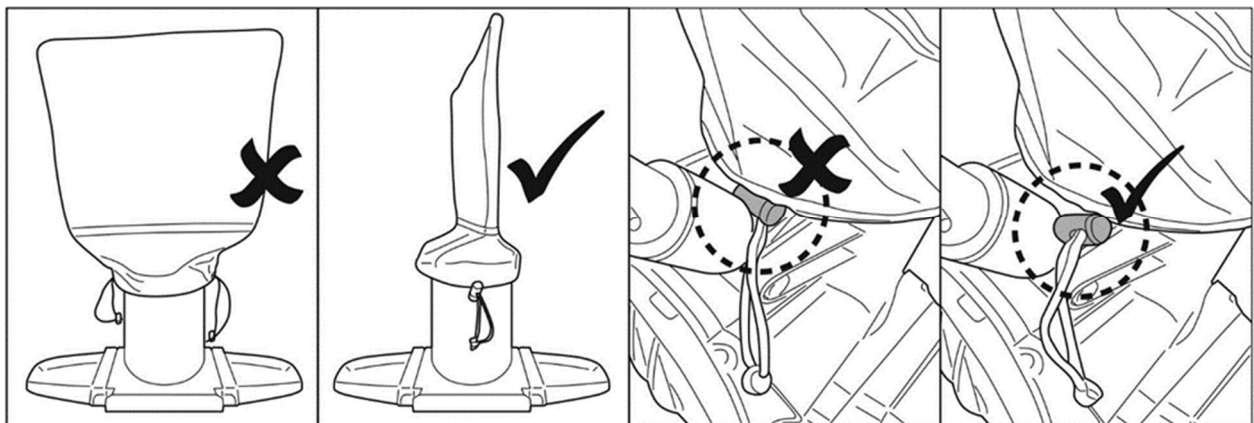
Le 2 aste sono di diverse lunghezze. Per prima cosa, posiziona quello più lunga all'interno della borsa e allinearla nel fondo del sacchetto. Mantieni l'asta a livello e tirala verso il basso finché si blocca, quindi tirala leggermente per assicurarti che sia fissata in posizione.

Allo stesso modo, inserire l'asta più corta e mantenerla a livello, quindi tirarla verso il basso fino a quando non si sarà bloccata e fissata, come mostrato nella figura sotto.

Nota: assicurarsi che le 2 aste siano saldamente fissate all'interno del sacchetto del filtro prima di immergere il pulitore nella piscina per evitare che cadano e blocchino la girante durante il funzionamento.



Attaccare il sacchetto del filtro di limo a partire dal lato stretto e di fronte all'apertura superiore del corpo principale del pulitore. Assicurarsi che il sacchetto del filtro sia avvolto interamente sulla flangia dell'apertura superiore e che il dispositivo di fissaggio del cavo non ostacoli il movimento della maniglia (vedere lo schema sotto).



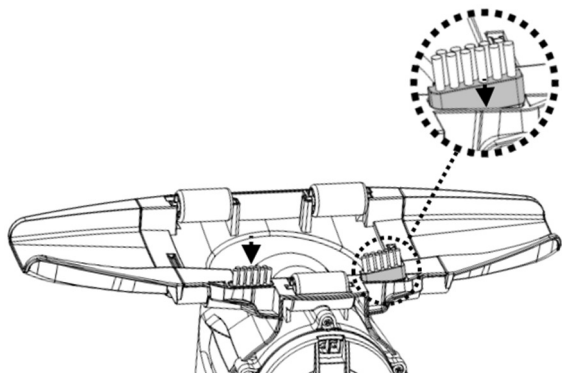
Fare riferimento alle precedenti istruzioni di montaggio del filtro normale per fissare i 2 fermacavi sulla borsa. Fissare un'estremità del dispositivo di fissaggio del cavo prima dell'altra. Sollevare il sacco per assicurarsi che sia completamente fissato prima di distribuire l'aspirapolvere per piscina in acqua.

Nota: più fine è il sacchetto di filtrazione, più velocemente si intaserà. I detriti saranno restituiti alla piscina a causa dell'elevata contropressione causata dal sacco intasato. Se

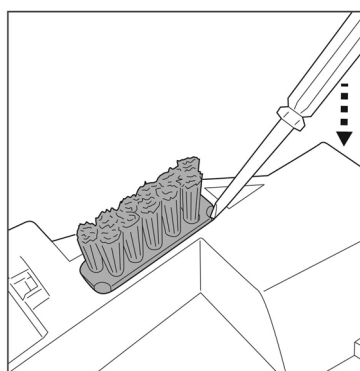
il pulitore della piscina non raccoglie o inizia a fuoriuscire i detriti catturati, pulire il sacchetto filtro all'interno e all'esterno. Fare riferimento alla sezione “**SVUOTARE IL SACCO FILTRO**” per pulire la borsa.

Assemblaggio spazzole

Allinea e inserisci tutte le spazzole nelle tacche sul lato inferiore dell'aspirapolvere per piscina.



Per staccare lo spazzolino, inserire la punta di un piccolo cacciavite nella tacca d'angolo e sollevare lo spazzolino.

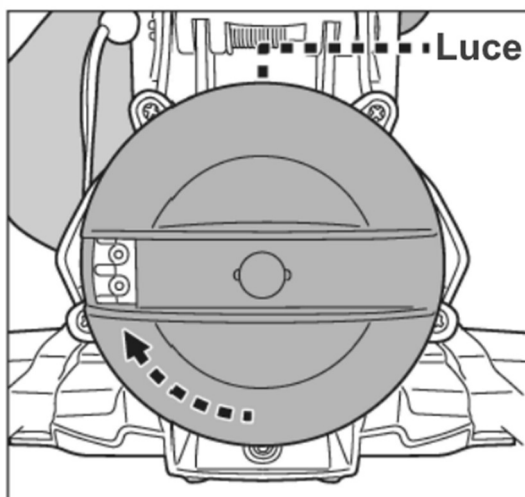


Preparazione della piscina

- Se il rivestimento è usurato, danneggiato o grinzoso, contattare un professionista qualificato per l'esecuzione delle riparazioni necessarie o procedere alla sostituzione del rivestimento prima di usare il pulitore.
- Se usi una piscina con acqua salata, accertati che tutto il sale si sia dissolto prima di collocare il pulitore nell'acqua

FUNZIONAMENTO

- 1) Porta il pulitore della piscina a bordo piscina. Ruotare la manopola di commutazione in senso orario finché non scatta per esporre i sensori dell'acqua. La luce in alto diventerà blu. Immergere il pulitore della piscina nell'acqua, la luce diventa immediatamente verde e la girante inizierà a girare dopo 4-5 secondi.

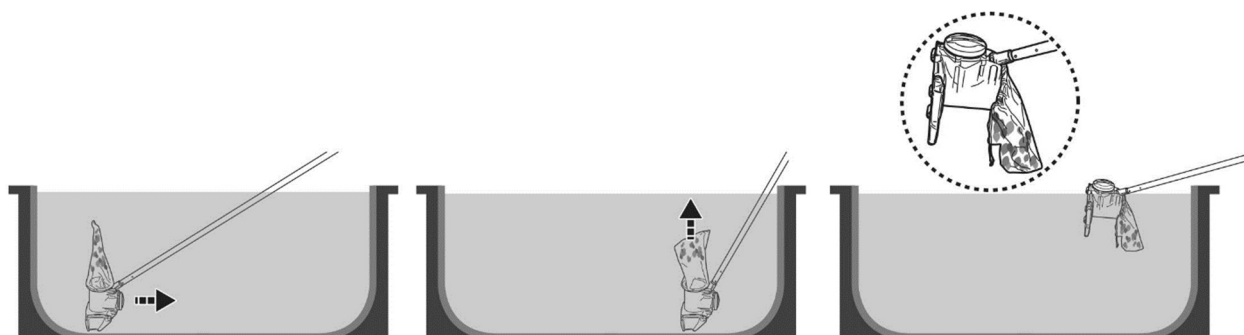


Colore chiaro	
Blu	Accensione (pronto per l'operazione)
Blu – Flash	Il livello della batteria si sta esaurendo
Verde	In funzionamento
Flash verde	Il livello della batteria si sta esaurendo
Luce verde spenta	La batteria è scarica (necessita di essere ricaricato)
Rosso	La girante si ferma (girante intasato)

Per aspirare efficacemente i detriti, assicurati che l'aspirapolvere per piscina sia posizionato in piano sul fondo della piscina mentre lo muovi avanti e indietro con movimento regolare su chiazze di detriti per la raccolta. I detriti vengono raccolti dalla parte anteriore, laterale e posteriore per riempire il sacchetto filtro.

Lo sporco in eccesso e i detriti nella piscina potrebbero ostruire la girante, che si fermerebbe automaticamente per proteggere il motore e la spia luminosa diventerebbe rossa. Rimuovere il pulitore dalla piscina e spegnerlo prima di disostruire e svuotare il sacchetto del filtro se è pieno. Per riprendere il funzionamento, ruotare la manopola di commutazione in senso antiorario fino a selezionare Spegnimento, quindi ruotarla in senso orario per selezionare Accensione.

- 2) Per recuperare l'aspirapolvere della piscina, portarlo a bordo vasca e capovolgerlo prima di sollevarlo. Questo viene fatto per evitare che i detriti si disperdano di nuovo nella piscina (specialmente se si utilizza il sacco filtrante fine) ed evitare di piegare il palo durante il processo.



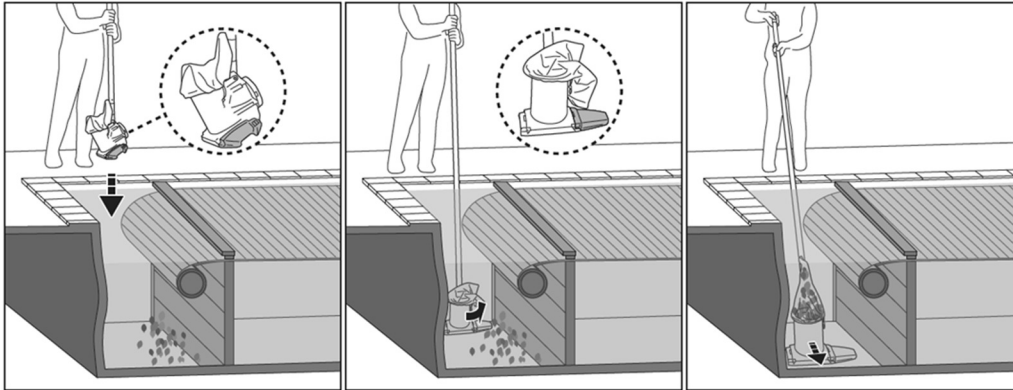
Una volta che il pulitore della piscina è fuori dall'acqua, la girante smetterà di girare entro 2-3 secondi. La luce LED diventerà blu. Quando il livello della batteria si sta esaurendo, la luce blu lampeggia.

- 3) Risciacquare l'aspirapolvere della piscina con acqua fresca dopo ogni utilizzo. NON utilizzare detergenti aggressivi.
- 4) Asciugare accuratamente la porta di ricarica e i perni (SUGGERIMENTO: utilizzare un batuffolo di cotone per asciugarli).

Aspirazione dello scomparto incassato di una copertura a doghe automatica

AVVERTENZA! Prestare attenzione a tutte le avvertenze di sicurezza nel manuale della copertura a doghe automatica relative a questa operazione di pulizia in anticipo.

- La distanza minima richiesta per l'immersione del vuoto nel compartimento incassato è di 30 cm (12 pollici)



- Rimuovere il passerella e srotolare la stecca della piscina secondo le istruzioni del manuale della copertura per piscina.
- Staccare una prolunga del pulitore prima di immergerlo nella piscina.
- Attaccare un'asta telescopica (non fornita) all'impugnatura dell'aspirapolvere della piscina come indicato nel manuale.
- Accendere il pulitore e successivamente allinearli come mostrato nell'immagine sopra prima dell'immersione.
- Una volta che il robot raggiunge il fondo della piscina, parallelamente alla lunghezza della piscina come mostrato sopra e inizia ad aspirare il compartimento incassato.

SVUOTARE IL FILTRO

ATTENZIONE! Assicurarsi che il pulitore della piscina sia spento prima di pulire il sacchetto del filtro.

Posizionare il detergente su una superficie piana e robusta. Premere sulla chiusura del cavo per rilasciare la borsa dal corpo principale. Si consiglia di pulire il sacchetto filtro con spruzzi d'acqua. Se si ritiene necessaria la spazzolatura, utilizzare solo una spazzola morbida per pulirla accuratamente e delicatamente per evitare danni.

MANUTENZIONE & STOCCAGGIO

NOTE:

1. Assicurati di aver pulito e asciugato le aree limitrofe alla porta di ricarica e ai sensori dell'acqua dopo ogni utilizzo per evitare la formazione di macchie (sottoprodotto di una reazione chimica naturale tra corrente elettrica e acqua). Diversamente, le macchie possono essere rimosse strofinando leggermente con un batuffolo di cotone imbevuto di succo di limone o aceto.
2. La batteria si scarica da sola durante lo stoccaggio. Accertarsi di portare la capacità della batteria del pulitore tra il 30% e il 50% prima di conservarlo.

3. È necessario ricaricare la batteria almeno una volta ogni tre mesi se non viene usata.
- Disconnettere l'adattatore esterno dalla presa di corrente e quindi riconnettere il jack dell'adattatore dalla spina di ricarica.
 - Staccare gli accessori dall' aspiratore della piscina. Se necessario, risciacquare l' aspiratore della piscina e gli accessori con acqua fresca. **NON USARE** detergenti aggressive.
 - Accertarsi di asciugare il pulitore della piscina prima dell'immagazzinamento.
 - Utilizzare un panno umido per pulire ed asciugare l' aspiratore della piscina ed i relativi accessori.
 - Provvedere ad uno stoccaggio in un'area ben ventilata ed al riparo dalla luce solare, dal calore, da materiale infiammabile e da prodotti chimici e fuori dalla portata dei bambini. La temperatura dell'ambiente di stoccaggio deve essere compresa tra i 10°C – 25°C. NB: una temperatura più elevata può ridurre il ciclo di vita della batteria durante lo stoccaggio stesso.

ATTENZIONE!

In nessun caso si deve tentare di smontare il pulitore e rimontare in autonomia la girante, il motore e la batteria.

ATTENZIONE!

• Un calore eccessivo può danneggiare la batteria e ridurre la sua durata. Consultare il proprio rivenditore per la sostituzione della batteria se si verifica una delle seguenti condizioni:

- La batteria appare danneggiata o non si ricarica completamente.
 - Il tempo di funzionamento della batteria è notevolmente ridotto. Osservare e registrare i tempi di funzionamento delle prime attività (a ricarica completa). Usare questi tempi come punto di riferimento per compararli con i tempi di funzionamento di batterie più vecchie.
- La batteria deve essere rimossa dall'aspiratore della piscina prima dello smaltimento/rottamazione.
 - L'aspiratore della piscina deve essere disconnesso dalla rete di alimentazione prima di rimuovere la batteria.
 - La batteria deve essere smaltita con cura ed in sicurezza, in accordo con le legislazioni ed i regolamenti locali vigenti.

NB: Una manutenzione non appropriata può ridurre il ciclo di vita della batteria ed intaccare le sue capacità.

SMALTIMENTO DELLA BATTERIA (Da eseguirsi solo da parte di un tecnico autorizzato)

L'aspiratore della piscina della batteria è una confezione contenente una batteria a LITIO-ION ricaricabile che non richiede manutenzione e che deve essere smaltita in maniera appropriata. Il riciclo è obbligatorio: si prega di contattare l'autorità locale in materia per informazioni in proposito.

ATTENZIONE!

Mai tentare di smontare il kit batteria

- Togliere tutti gli oggetti personali come ad esempio anelli, braccialetti, collane ed orologi quando il kit batteria è disconnesso dall'aspiratore della piscina.
- Una batteria può produrre un breve corto circuito sufficientemente forte da

- saldare un anello (od un oggetto simile) al metallo, provocando gravi ustioni.
- Indossare una protezione completa per gli occhi, guanti ed un abbigliamento di sicurezza appropriato durante la rimozione del kit batteria.
- Evitare di toccare tutti i cavi contemporaneamente ed evitare di consentire un contatto tra i cavi ed un oggetto di metallo poichè si possono provocare scintille o corto circuiti.
- Mai fumare o avvicinare fonti di scintille o fiamme in prossimità della batteria o dell'aspiratore della piscina.
- Non esporre la batteria al fuoco o ad alte fonti di calore poichè possono provocare un' esplosione.

ATTENZIONE!

Se una batteria presenta una perdita, evitare il contatto con i liquidi fuoriusciti e posizionare la batteria danneggiata in una borsa di plastica.

- Se i liquidi fuoriusciti vanno in contatto con pelle o vestiti, lavare immediatamente con sapone ed acqua abbondanti.
- Se i liquidi fuoriusciti vanno in contatto con occhi, sciacquare immediatamente gli occhi sotto acqua corrente fresca per almeno 15 minuti e non sfregarli assolutamente. Ricorrere ad un'appropriata assistenza medica il prima possibile.

Come rimuovere il pack batteria solo per lo smaltimento della batteria (Da eseguirsi solo da parte di un tecnico autorizzato)

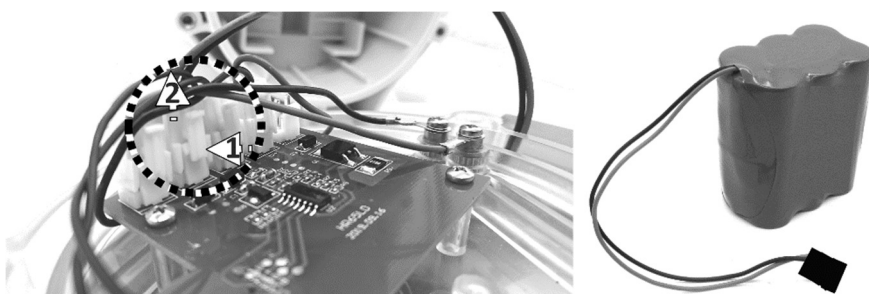
Strumenti raccomandati (non inclusi): cacciaviti

AVVERTENZA! Il pulitore per piscina deve essere scollegato dalla rete di alimentazione prima di rimuovere il pacco batteria.



1. Posizionare il pulitore per piscina su una superficie piana. Utilizzare il cacciavite per allentare le viti sul coperchio posteriore. Rimuovere la batteria dalla camera.



2. Per staccare il cavo di collegamento della batteria, premere sulla clip del connettore per estrarlo. **NOTA:** avvolgere immediatamente il connettore con nastro isolante per evitare cortocircuiti causati dal contatto di entrambi i terminali del filo.



RISOLUZIONE DEI PROBLEMI

Problema	Possibili Cause	Soluzioni
Il pulitore non inizia a funzionare sott'acqua (dopo 5-10 secondi)	Sensori di acqua macchiata	Le macchie possono essere rimosse utilizzando un batuffolo di cotone imbevuto di succo di limone o aceto per pulire le aree intorno ai sensori dell'acqua.
	Privo di batterie	Carica il pulitore della piscina.
	Inceppato dalla bacchetta del sacco filtrante di limo	Rimuovere il pulitore dalla piscina e spegnerlo. Reinstallare lasta nella borsa e assicurarsi che sia fissata in posizione.
Non cattura i detriti / i detriti sono fuoriusciti nella piscina	Batteria scarica	Carica il pulitore della piscina.
	Girante inceppata	Rimuovere il pulitore della piscina dall'acqua e ruotare la manopola in senso antiorario per spegnerla. Controllare e vedere se la girante è bloccata da grandi detriti. Rimuovere i detriti. Se necessario, contattare il proprio rivenditore per ulteriori istruzioni. AVVERTENZA! Assicurarsi che l'aspirapolvere della piscina sia spento prima di eseguire la manutenzione dell'unità.
	Inceppato dalla bacchetta del sacco filtrante di limo	Rimuovere il pulitore dalla piscina e spegnerlo. Reinstallare lasta nella borsa e assicurarsi che sia fissata in posizione.
	Girante rotta	Contattare il proprio rivenditore per la sostituzione.
Il tempo di ricarica è più lungo di pubblicato	Il sacchetto del filtro è pieno / ostruito	Pulire il sacchetto del filtro.
	Pin di ricarica macchiati	Le macchie possono essere rimosse utilizzando un batuffolo di cotone imbevuto di succo di limone o aceto per pulire le aree intorno ai sensori dell'acqua.
Il detergente non può essere caricato	Batteria danneggiata	Contattare il rivenditore per la sostituzione della batteria. AVVERTENZA! NON sostituire la batteria da soli. Ciò potrebbe provocare lesioni gravi o mortali e la garanzia verrà annullata di conseguenza.
	La spina di ricarica non è collegata correttamente all'adattatore esterno e all'aspirapolvere per piscina	Fare riferimento al manuale di istruzioni e collegare correttamente gli accessori di ricarica.
	L'adattatore esterno è guasto	Contattare il proprio rivenditore per la sostituzione. AVVERTENZA! L'uso di un adattatore esterno sbagliato provocherà danni all'aspirapolvere / batteria della piscina e di conseguenza annullerà la garanzia.
Programma Ambientale, Direttiva Europea WEEE		
	Rispettare le normative dell'Unione Europea e aiutare a proteggere l'ambiente. Le attrezzature elettriche non rilavorate devono essere smaltite presso un impianto indicato dal Comune di competenza che si occupi di riciclare appropriatamente attrezzature elettriche ed elettroniche. Non gettare via tali attrezzature in cassonetti per rifiuti indifferenziati. Per articoli contenenti batterie removibili, rimuovere le batterie prima di gettare via il prodotto.	
	© 2020 Kokido Development Ltd. 20009015 Tutti i diritti sono riservati. Nessuna parte di questo documento può essere riprodotta o trasmessa in alcuna forma o tramite alcun mezzo, elettronico, meccanico, fotocopia, registrazione o altro, salvo previa autorizzazione della Kokido Development Ltd. (V1)	

Se è richiesta una copia digitale del presente manuale, prego contattare il centro di assistenza via email: customerservice@kokido.com

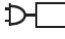
CONSERVARE LE PRESENTI ISTRUZIONI

SICHERHEITSHINWEISE UND ANWEISUNGEN

Die in dieser Bedienungsanleitung enthaltenen Informationen helfen Ihnen, das Gerät sicher zu bedienen, sich und andere vor Gefahren zu schützen und Schäden am Gerät und anderem Eigentum zu vermeiden.

ANLEITUNG AUFBEWAHREN

WARNUNG!

- Dies ist KEIN SPIELZEUG. Kinder sollten von diesem Pool-Sauger und dessen Zubehör ferngehalten werden.
- Lassen Sie niemals Kinder dieses Produkt bedienen.
- Dieses Gerät ist nicht für die Verwendung durch Personen mit eingeschränkten physischen, sensorischen oder geistigen Fähigkeiten oder fehlender Erfahrung und mangelndem Wissen bestimmt, es sei denn, sie wurden von einer für ihre Sicherheit verantwortlichen Person beaufsichtigt oder in die sichere Verwendung des Geräts eingewiesen und verstehen die vorhandenen Gefahren.
- Kinder dürfen nicht mit diesem Produkt spielen.
- Reinigung und Wartung durch den Benutzer dürfen nicht von Kindern durchgeführt werden.
- Stellen Sie sicher, dass das Poolvakuum vollständig in Wasser eingetaucht ist, bevor Sie den Betrieb aufnehmen. Der für den Betrieb des Poolvakuums erforderliche Mindestwasserstand muss das gesamte Poolvakuum abdecken. Wenn Sie den Pool-Sauger betreiben, wenn er nicht richtig in das Wasser eingetaucht ist, kann das Gerät beschädigt werden und die Garantie erlischt.
- Die maximale Betriebstiefe im Wasser beträgt 3 Meter.
- Betriebswassertemperatur: 5°C – 35°C.
-  Abnehmbare Versorgungseinheit (externer Adapter).
- Der Pool-Sauger darf nur mit einem mit diesem Produkt gelieferten externen Adapter und Ladestecker aufgeladen werden.
- Verwenden Sie zum Aufladen der Batterie nur die abnehmbare Stromversorgung (Modellnummer des externen Adapters: DSS12D-1351000-B / DSS12D-1351000-C / DSS12D-1351000-D/ LX135100U), die mit diesem Pool-Sauger geliefert wird.
- Verbinden Sie den externen Netzadapter über eine Fehlerstrom - Schutzeinrichtung, (RCD) / einen Fehlerstrom - Schutzschalter (RCCB) mit dem Netz. Ziehen Sie in Zweifelsfällen einen qualifizierten Elektriker zu Rate.
- Verwenden Sie diesen Pool-Sauger nicht, wenn Schäden festgestellt werden.
- Ersetzen Sie beschädigte Teile durch solche, die vom Händler oder Hersteller zertifiziert sind.
- Schalten Sie den Strom aus, trennen Sie den externen Adapter von der Stromquelle und ziehen Sie den externen Adapter vom Ladestecker ab, bevor Sie den Pool-Sauger vom Ladestecker abziehen.
- Trennen Sie das Poolvakuum vom Versorgungsnetz und stellen Sie

- sicher, dass das Poolvakuum ausgeschaltet ist, bevor Sie es warten, z. B. um den Filterbeutel zu reinigen.
- Versuchen Sie nicht, den eingebauten wiederaufladbaren Li-Ionen-Akku zu ersetzen.
 - Fassen Sie den Pool-Sauger, den externen Adapter und den Ladestecker NICHT mit nassen Gliedmaßen und ohne Schuhe an, während er aufgeladen wird.
 - Sie sollten diesen Pool-Sauger nicht betreiben, wenn sich Personen/Haustiere im Wasser befinden.
 - Verwenden Sie diesen Pool-Sauger NICHT ohne einen intakten Filterbeutel, da sonst Ihre Garantie erlischt.
 - Saugeinschlussgefahr: dieses Poolvakuum erzeugt eine Saugwirkung. Lassen Sie Haare, Körper und lose Teile Ihrer Kleidung während des Betriebs nicht mit dem Saugpunkt des Poolvakuums in Kontakt kommen.
 - Führen Sie niemals Körperteile, Kleidung und andere Gegenstände in die Öffnungen und beweglichen Teile des Pool-Saugers ein.
 - Verwenden Sie diesen Poolsauger NICHT, um toxische Substanzen, entzündliche und brennbare Flüssigkeiten (z. B. Benzin) in Gegenwart von explosiven oder entflammbaren Dämpfen aufzunehmen..
 - Versuchen Sie unter keinen Umständen, das Poolvakuum zu zerlegen und das Laufrad, den Motor und die Batterie selbst auszutauschen.
 - Führen Sie niemals Finger und Gegenstände ein, um das Laufrad zu berühren.
 - Die eingebaute Batterie muss von einem Fachmann entfernt werden, bevor sie verschrottet wird.
 - Dieses mit Poolsauger arbeitende Gerät enthält einen Akku, der nur von Fachpersonal entfernt werden darf.
 - Bevor der Akku entfernt wird, muss das Poolsauger von der Stromversorgung getrennt werden.
 - Einzelheiten zum Recycling bzw. zur Entsorgung des Akkus finden Sie im Abschnitt „ENTSORGUNG DES AKKUS“ in dieser Anleitung und wenden Sie sich für weitere Informationen an Ihre örtlichen Behörden.
 - Der Akku muss im Einklang mit den im Verwendungsland geltenden Vorschriften entsorgt werden.
- Externer Adapter und Ladestecker:
- Verwenden Sie den externen Adapter und den Ladestecker niemals für andere Zwecke als zum Laden des Akkus des Pool-Saugers, der im selben Paket enthalten ist.
 - Der externe Adapter und der Ladestecker dürfen weder im Freien verwendet werden noch Regen, Feuchtigkeit, Flüssigkeiten oder Hitze ausgesetzt werden.
 - Der Transformator (oder der externe Adapter) muss sich außerhalb der Zone 1 befinden.
 - Bewahren Sie den externen Adapter und den Ladestecker außerhalb der Reichweite von Kindern auf.

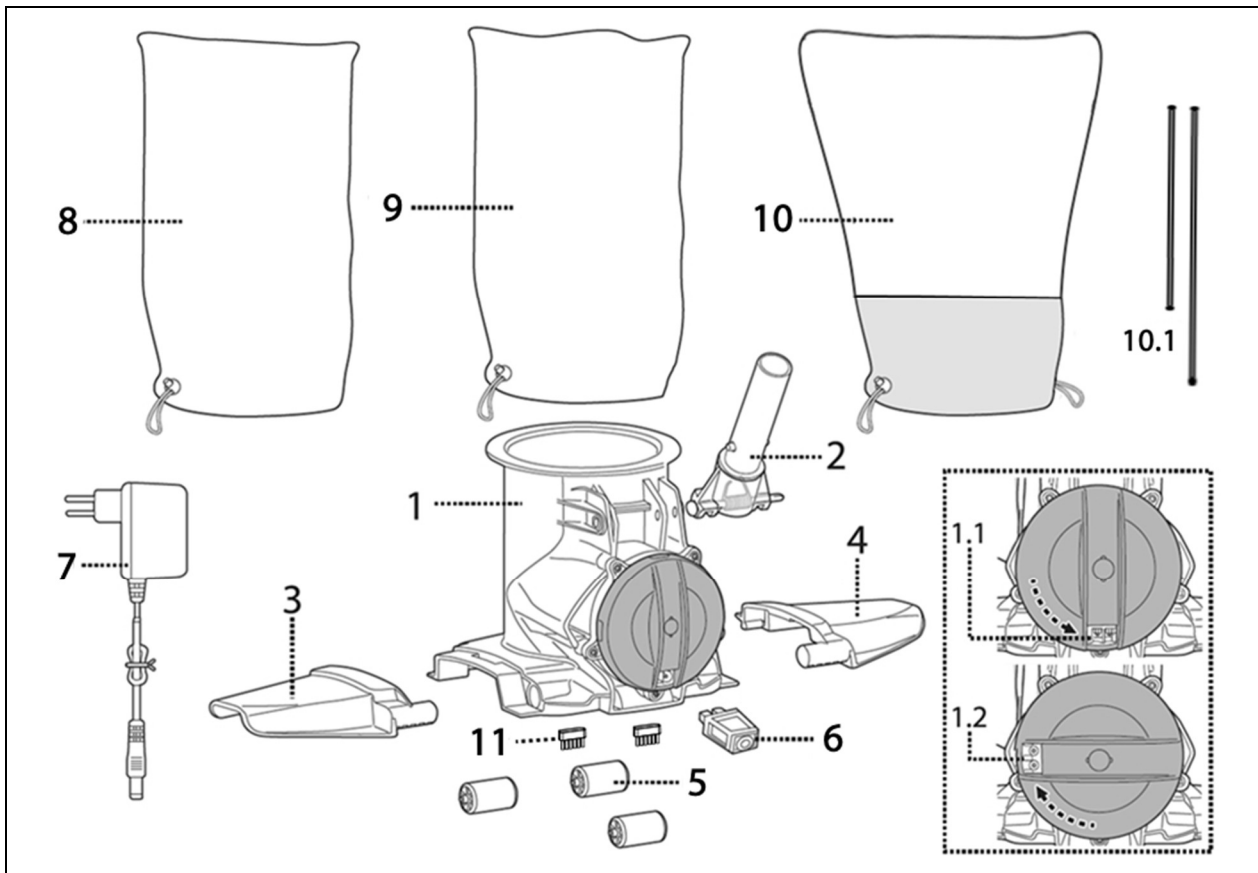
- Verwenden Sie niemals den externen Adapter und den Ladestecker, wenn Schäden festgestellt werden.
- Fassen Sie den externen Adapter und den Ladestecker NICHT mit nassen Händen an.
- Halten Sie den externen Adapter vom Stromnetz getrennt, wenn er nicht verwendet wird.
- Versuchen Sie keinesfalls, das externe Ladegerät und die Ladestecker zu öffnen.
- Wenn das Netzkabel des externen Adapters beschädigt ist, muss der externe Adapter durch den Hersteller oder seinen Kundendienstvertreter ersetzt werden, um Gefahren jeglicher Art zu vermeiden.
- Vergewissern Sie sich, dass der Pool-Sauger und der Ladestecker vor dem Aufladen vollständig trocken sind.

VORSICHT!

- Dieser Pool-Sauger ist nur für die Verwendung unter Wasser vorgesehen. Es ist kein Allzweckstaubsauger. Versuchen Sie NICHT, damit etwas anderes als Ihren Pool zu reinigen.
- Verwenden Sie nur Originalzubehör, das mit diesem Produkt geliefert wurde.
- Verwenden Sie diesen Poolreiniger NICHT unmittelbar nach dem Auftragen von Chlorschock. Es wird empfohlen, den Pool mindestens 24-48 Stunden lang im Umlauf zu lassen.
- Wenn Sie das Poolvakuum in einem Salzwasserpool verwenden möchten, stellen Sie sicher, dass das gesamte Salz aufgelöst ist, bevor Sie es ins Wasser geben.
- Verwenden Sie diesen Poolsauger NICHT gleichzeitig mit einem anderen automatischen/manuellen Reingigungsgerät im Becken..
- Vermeiden Sie es, mit diesem Produkt harte, scharfe Gegenstände aufzunehmen, da diese das Poolvakuum und den Filter beschädigen können.
- Um eine Beschädigung des externen Adapters und des Ladesteckers zu vermeiden, versuchen Sie nicht, das Poolvakuum über das Kabel des externen Adapters zu führen, und ziehen Sie nicht am Kabel, um es von der Stromquelle und dem Ladestecker zu trennen.
- Laden Sie den Pool-Sauger in einem sauberen, trockenen Bereich mit guter Belüftung und ohne Sonnenlicht auf.
- Lassen Sie das Poolvakuum NICHT länger als 10 Stunden aufgeladen.
- Wenn der Pool-Sauger längere Zeit nicht verwendet wird, ziehen Sie ihn vom Ladestecker ab und reinigen und trocknen Sie den Pool-Sauger und sein Zubehör mit einem feuchten Tuch. Stellen Sie sicher, dass der Pool-Sauger vor der Lagerung auf etwa 30% bis 50% der Batteriekapazität aufgeladen wird. An einem gut belüfteten Ort aufbewahren, fern von Sonnenlicht, Hitze, Zündquellen, Poolchemikalien und Kindern. Laden Sie den Pool-Sauger alle drei Monate auf.
- Alle Maßnahmen zur Demontage des Hauptgeräts (d. H. Entsorgung der Batterie) können nur von einem autorisierten Techniker durchgeführt werden.

Die oben genannten Warnungen und Vorsichtsmaßnahmen sollen nicht alle möglichen Fälle von Risiken und/oder schweren Verletzungen berücksichtigen. Pool-/Spa-Besitzer sollten bei der Verwendung des Produkts stets besondere Vorsicht und gesunden Menschenverstand walten lassen.

WIE DAS POOL-VAKUUM FUNKTIONIERT



		Ersatznummer			Ersatznummer
1.	Haupteinheit	Modell EV90: - EV90ASM04 EV90ASM04/US	6.	Ladestecker	EV90-09
		Modell EV91: - EV91ASM04 EV91ASM04/US	7.	Adapter	EV90-08-002 (EU) EV90-08-002/US(USA) EV90-08-002/AU (Australien / Neuseeland)
		Modell EV95: - EV95ASM04 EV95ASM04/US			
1.1.	Ladeanschluss (mit 2 Ladestiften zum Laden)	-----	8.	Normaler Filterbeutel x 1	EV90-06-001
1.2.	Wassersensoren	-----	9.	Feinfilterbeutel (zum Filtern feiner Partikel) x 1	EV90-06-002
2.	Griff / Teleskopstangenverbinder (mit Stecker und Feder)	EV90ASM01	10.	Schluffbeutel x 1	EV95-06-001 (nur im Modell EV95 enthalten)
			10.1.	Stützstangen	
3.	Linke Verlängerung	EV90ASM02	11.	Bürste x 2	EV90-10 (nur im Modell EV91 / EV95 enthalten)
4.	Rechte Verlängerung				
5.	Rad x 3	EV90ASM03			

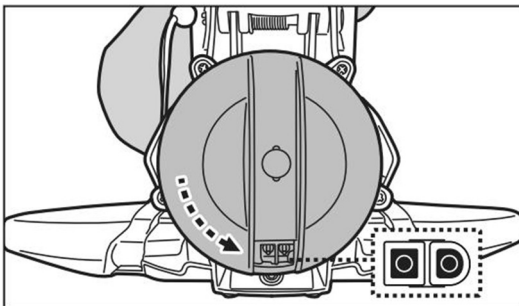
FERTIG MACHEN

Die Batterie aufladen

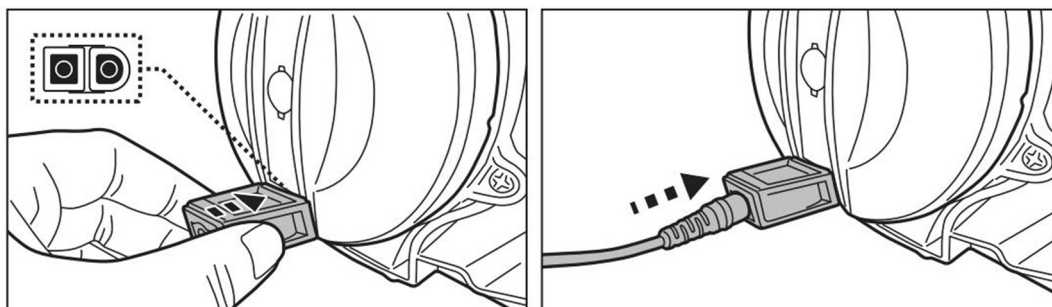
WICHTIGE NOTIZ: laden Sie das Poolvakuum vollständig auf (ca. 6 Stunden), bevor Sie es zum ersten Mal verwenden.

WARNUNG!

- Verwenden Sie nur den mitgelieferten Original-Netzadapter und den mitgelieferten Ladestecker.
 - Stellen Sie sicher, dass der Poolsauger und der Ladeanschluss sauber und trocken sind, bevor Sie ihn aufstellen und laden. (TIPP: Heben Sie die Schutzkappe auf und verwenden Sie einen Wattestäbchen zum Trocknen der Ladeöffnung und der Ladestifte).
 - Die Aufladestifte sind wasserdicht. Wasserreste im Hafen und um die Stifte herum könnten jedoch zum natürlichen Auftreten von Flecken führen (ein Nebenprodukt der chemischen Reaktion zwischen Wasser und elektrischen Strömen). Andernfalls können die Flecken durch leichtes Schrubben mit einem mit Zitronensaft oder Essig getränkten Wattestäbchen entfernt werden.
1. Stellen Sie das Gerät auf eine ebene Fläche. Stellen Sie den Pool-Sauger auf Ausschalt-/Lademodus, indem Sie den Schaltknopf gegen den Uhrzeigersinn drehen, bis er klickt und den Ladeanschluss vollständig freilegt.



2. Richten Sie den Ladestecker aus und schließen Sie ihn an den Ladeanschluss an. **WARNUNG!** Achten Sie darauf, den Ladestecker nicht umzudrehen und sicherzustellen, dass sowohl der Ladestecker als auch der Ladeanschluss sauber und trocken sind, bevor Sie sie aufladen. **TIPPS:** Trocknen Sie den Ladeanschluss und die Stifte mit Wattestäbchen. Stecken Sie das Ladekabel des externen Adapters in den Ladestecker.



3. Schließen Sie den externen Adapter an die Stromquelle an. Die Anzeigelampe am externen Adapter leuchtet rot, wenn das Vakuum aufgeladen wird, und grün, wenn es vollständig aufgeladen ist. Laden Sie es 6 Stunden lang auf, um die beste Leistung zu erzielen.



- Trennen Sie den externen Adapter sofort von der Stromquelle, wenn Sie Folgendes feststellen:
 - Beleidigender oder ungewöhnlicher Geruch
 - Übermäßige Hitze
 - Verformung, Risse, Undichtigkeiten
 - Rauch
- 4. Wenn der Ladevorgang abgeschlossen ist, ziehen Sie den externen Adapter von der Stromquelle ab und ziehen Sie das Ladekabel vom Ladestecker ab. Ziehen Sie den Ladestecker vom Hauptgerät ab. **WARNUNG!** Lassen Sie den Ladestecker niemals, während sich das Poolvakuum im Wasser befindet.

Normalerweise ist der Pool-Sauger so ausgelegt, dass er bei voller Ladung bis zu 75 Minuten lang betrieben werden kann.

Hinweis: leeren Sie den Filterbeutel regelmäßig. Übermäßiger Schmutz erhöht die Belastung des Motors und kann die Betriebszeit verkürzen..

HINWEIS: Der wiederaufladbare Lithium-Ionen-Akku wird als Verbrauchsartikel eingestuft. Es hat eine begrenzte Lebensdauer und verliert allmählich seine Fähigkeit, eine Ladung zu halten. Daher verringert sich die Laufzeit des Poolvakuums nach wiederholtem Laden und Entladen während seiner gesamten Produktlebensdauer allmählich.

Wenn die Lebensdauer der Batterie abgelaufen ist, finden Sie Anweisungen zur Entsorgung der Batterie im Abschnitt „ENTSORGUNG DER BATTERIE“.

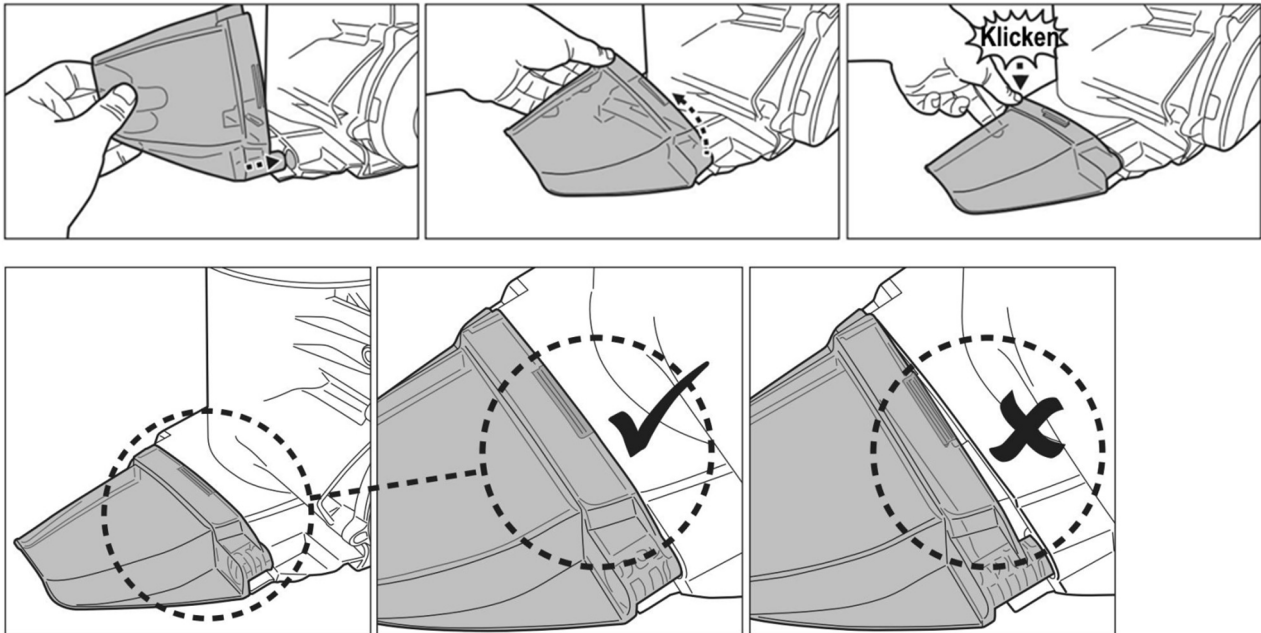
HINWEIS: Lassen Sie das Poolvakuum etwa 30 bis 40 Minuten ruhen, bevor Sie es erneut aufladen.

Vor Gebrauch einrichten

Dieser Pool-Sauger hat abnehmbare Verlängerungen, die entfernt werden können, um die engen Bereiche zu reinigen.

Verlängerung montieren

Führen Sie den Schaft des Flügels in das Loch an der Seite des Hauptkörpers ein. Drehen Sie den Flügel und drücken Sie darauf, um ihn am Hauptkörper zu befestigen. Sie hören ein Klicken.

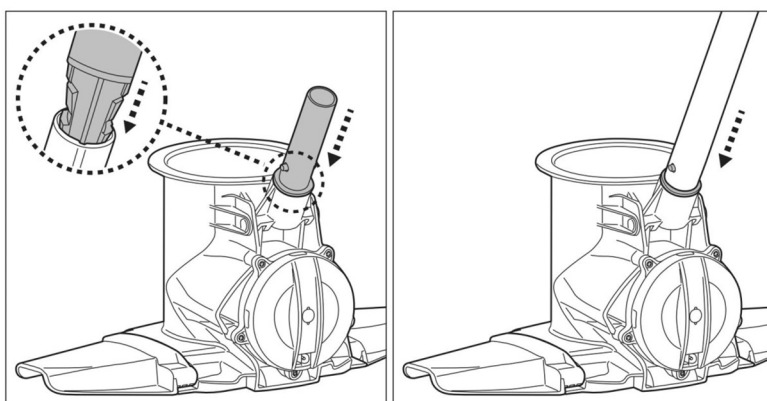


Verlängerung demontieren

Gehen Sie in umgekehrter Reihenfolge vor, um die Verlängerung vom Hauptgerät zu trennen.

Griff/Teleskopstangenverbinder montieren

Richten Sie den Griff/Teleskopstangenverbinder wie gezeigt aus und stecken Sie ihn in den Pfosten. Schieben Sie die Teleskopstange in den Polverbinder, bis die Löcher an der Seite der Teleskopstange an den Stiften des Polverbinders befestigt sind.



Montage von Normal- und Feinfilterbeuteln

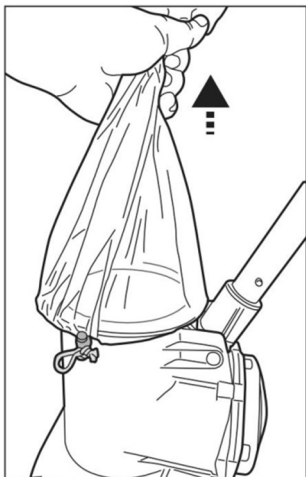
Hinweis: Verwenden Sie den Feinfilterbeutel, wenn Ihr Pool mit feineren Ablagerungen und Sand gefüllt ist, und verwenden Sie den normalen Filterbeutel für größere Ablagerungen wie Blätter.



Verteilen Sie den Filterbeutel über der oberen Öffnung des Hauptkörpers des Poolvakuums. Stellen Sie sicher, dass die Schnur des Beutels unter dem Flansch der oberen Öffnung liegt.



Während Sie die Schnur halten, drücken Sie auf den Schnurbefestigung und schieben Sie ihn unter den Flansch. TIPPS: Um den Filterbeutel zu sichern, ziehen Sie beim Schieben des Schnurbefestigung unter den Flansch eine Schnur anstelle von zwei Schnüre, wie in der Abbildung gezeigt.



Heben Sie den Beutel an, um sicherzustellen, dass er vollständig gesichert ist, bevor Sie den Pool-Sauger in Wasser einsetzen.

Montage des Schlufffilterbeutels

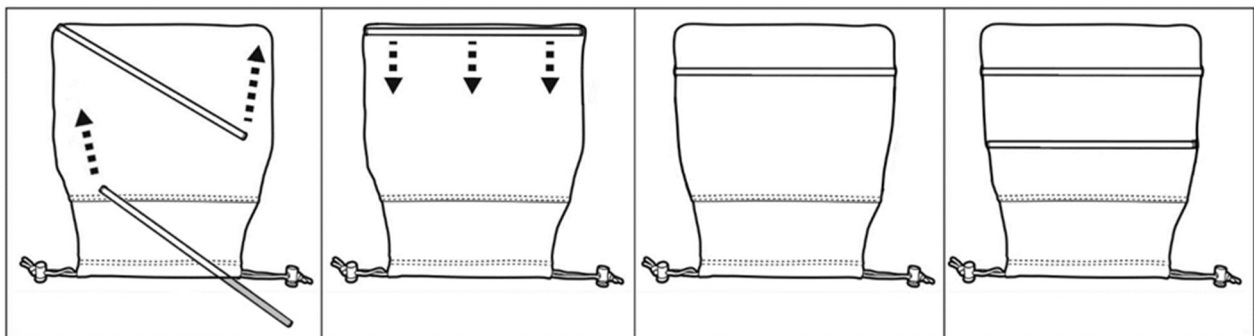
Hinweis: Der Schlufffilterbeutel ist so konstruiert, dass er feinere Partikel wie Schluff auffängt.

Die Montage des Schlufffilterbeutels erfordert die Installation der 2 Stangen, die dazu dienen, die Wassermenge, die während der Entnahme im Beutel zurückgehalten wird, zu reduzieren und die Bewegung des Reinigers am Boden des Pools zu erleichtern.

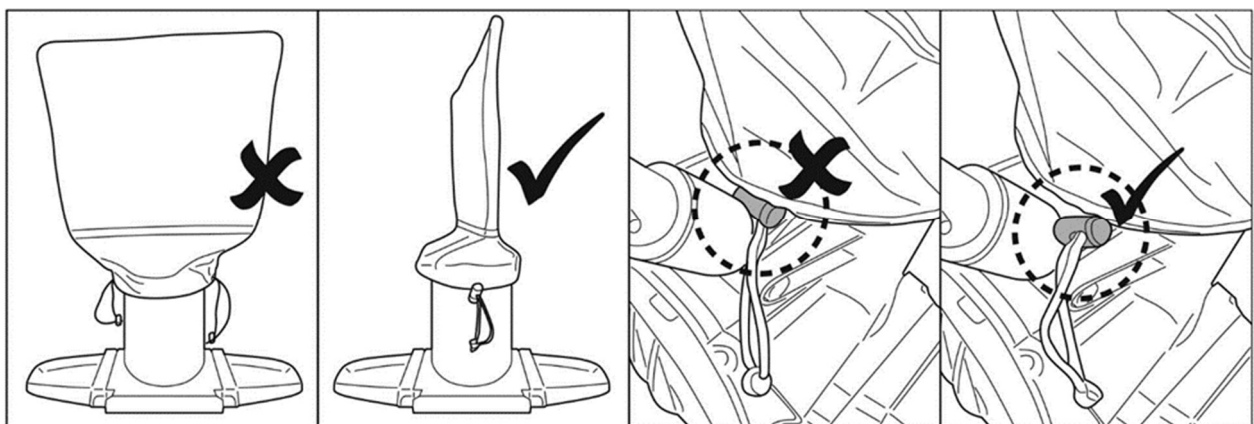
Die beiden Stäbe sind von unterschiedlicher Länge. Legen Sie zunächst die längste Stange in den Beutel und richten Sie sie am Boden des Beutels aus. Halten Sie die Stange waagrecht und ziehen Sie sie nach unten, bis sie verklemmt ist, und ziehen Sie dann ein wenig daran, um sicherzustellen, dass sie in ihrer Position gesichert ist.

Führen Sie gleicher Weise die kürzere Stange ein und halten sie waagrecht, dann ziehen Sie sie nach unten, bis sie eingeklemmt und gesichert ist, wie in der Abbildung unten dargestellt.

Hinweis: Vergewissern Sie sich, dass die beiden Stangen fest im Filterbeutel befestigt sind, bevor Sie den Sauger in den Pool eintauchen, um zu verhindern, dass sie herunterfallen und das Laufrad während des Betriebs blockieren.



Befestigen Sie den Schlufffilterbeutel an seiner schmalen Seite und nach vorne weisend an der oberen Öffnung des Hauptteils des Saugers. Stellen Sie sicher, dass der Filterbeutel vollständig über den Flansch der oberen Öffnung gewickelt ist und die Kordelbefestigung die Bewegung des Handgriffs nicht behindert (siehe Abbildung unten).



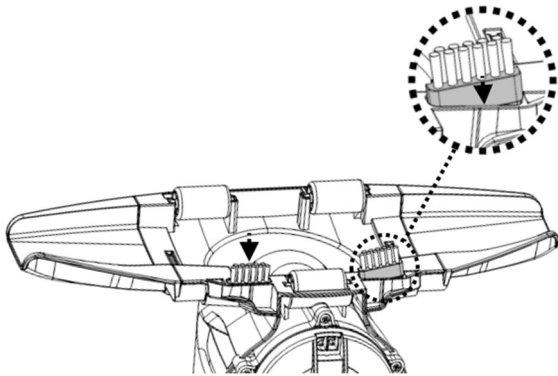
Beachten Sie die vorherige Anweisungen zur Montage des Standardfilters, um die beiden Kordelverschlüsse am Beutel zu befestigen. Befestigen Sie ein Ende des Kordelverschlusses vor dem anderen. Heben Sie schließlich den Beutel an, um sicherzustellen, dass der Schluffbeutel vollständig gesichert ist, bevor Sie den Pool-Sauger ins Wasser eintauchen.

Hinweis: Je feiner der Filterbeutel, desto schneller verstopft er. Aufgrund des hohen Gegendrucks, der durch den verstopften Beutel verursacht wird, werden die Rückstände

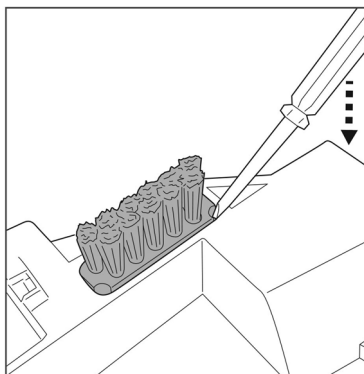
in den Pool zurückgeführt. Wenn der Pool-Sauger die aufgefangenen Schmutzteilchen nicht aufnimmt oder ausläuft, reinigen Sie den Filterbeutel innen und außen. Lesen Sie den Abschnitt **FILTERBEUTEL LEEREN**, um den Beutel zu reinigen.

Zusammenbau Bürste

Richten Sie alle Bürsten aus und setzen sie sie in die Kerben an der Unterseite des Pool-Saugers ein.



Um die Bürste abzunehmen, führen Sie die Spitze eines kleinen Schraubendrehers in die Eckaussparung ein und drücken Sie die Bürste nach oben.



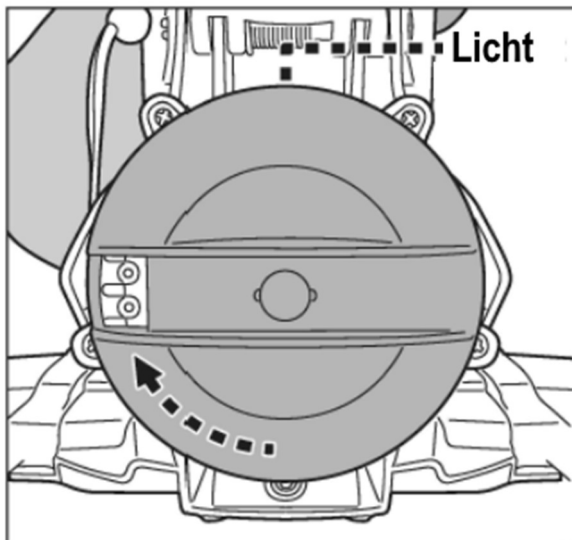
Poolvorbereitung

- Wenn der Liner spröde, beschädigt oder zerknittert ist, wenden Sie sich an einen qualifizierten Fachmann, um die erforderlichen Reparaturen durchzuführen oder einen Liner auszutauschen, bevor Sie den Pool-Sauger verwenden.

- Wenn Sie einen Salzwasserpool verwenden, stellen Sie sicher, dass das gesamte Salz aufgelöst ist, bevor Sie den Pool-Sauger ins Wasser stellen.

BETRIEB

1) Bringen Sie Ihren Pool-Sauger an die Seite Ihres Pools. Drehen Sie den Schaltknopf im Uhrzeigersinn, bis er einrastet, um die Wassersensoren freizulegen. Das Licht oben wird blau. Tauchen Sie das Poolvakuum in Wasser, das Licht wird sofort grün und das Laufrad beginnt sich nach 4-5 Sekunden zu drehen.

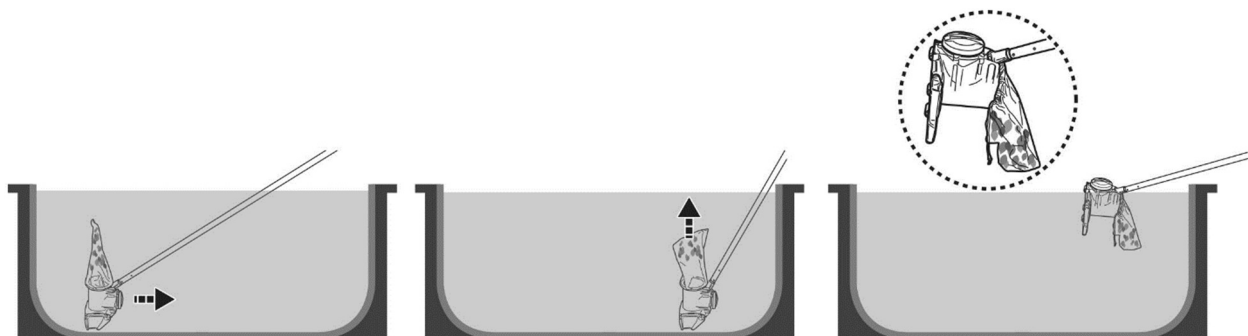


Lichtfarbe	
Blau	Einschalten (betriebsbereit)
Blau - Blinkend	Der Akkuladestand geht zur Neige
Grün	In Betrieb
Grün - Blinkend	Der Akkuladestand geht zur Neige
Grünes Licht aus	Batterie leer (muss aufgeladen werden)
Rot	Laufrad stoppt (Laufrad verstopft).

Um Schmutz effektiv abzusaugen, stellen Sie sicher, dass der Pool-Sauger flach auf dem Poolboden liegt, während Sie ihn in regelmäßigen Bewegungen über Schmutzflecken zum Sammeln hin und her lenken. Schmutz wird von vorne, von der Seite und von hinten gesammelt, um den Filterbeutel aufzufüllen.

Überschüssiger Schmutz und Ablagerungen im Pool können das Laufrad verstopfen, das automatisch zum Schutz des Motors stoppt und die Anzeigelampe rot leuchtet. Entfernen Sie das Vakuum aus dem Pool und schalten Sie es aus, bevor Sie den Filterbeutel reinigen und leeren, wenn er voll ist. Um den Betrieb wieder aufzunehmen, drehen Sie den Schaltknopf gegen den Uhrzeigersinn, bis Ausschalten ausgewählt ist, und drehen Sie ihn dann im Uhrzeigersinn, um Einschalten auszuwählen.

2) Um das Poolvakuum wiederzugewinnen, bringen Sie es am Pool und drehen Sie es um, bevor Sie es anheben. Dies geschieht, um zu verhindern, dass Schmutz in den Pool zurückstreut (insbesondere wenn Sie den Feinfilterbeutel verwenden), und um zu vermeiden, dass die Stange dabei verbogen wird.



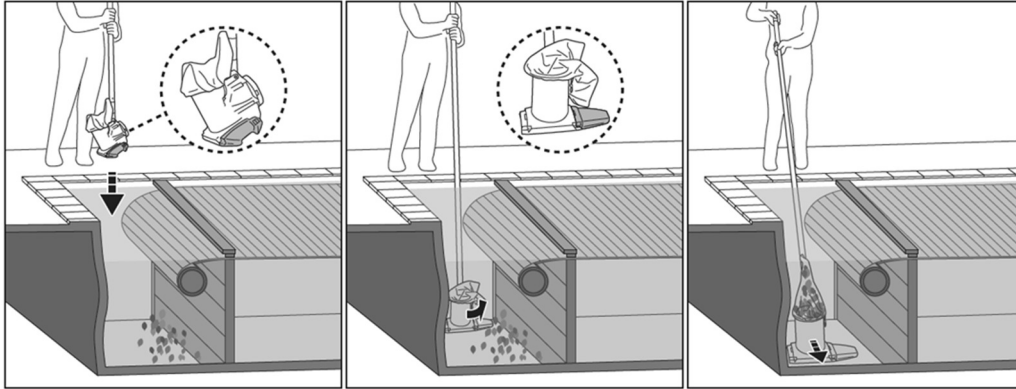
Sobald das Poolvakuum aus dem Wasser ist, dreht sich das Laufrad innerhalb von 2-3 Sekunden nicht mehr. Das LED-Licht leuchtet blau. Wenn der Batteriestand zur Neige geht, blinkt das blaue Licht.

- Spülen Sie den Pool-Sauger nach jedem Gebrauch mit frischem Wasser. Verwenden Sie KEIN aggressives Reinigungsmittel.
- Trocknen Sie den Ladeanschluss und die Stifte gründlich ab (TIPPS: Trocknen Sie sie mit Wattestäbchen)

Absaugen des versenkten Fachs einer automatischen Lamellenabdeckung

WARNUNG! Beachten Sie vorher alle Sicherheitswarnungen in der Anleitung Ihrer automatischen Lamellenabdeckung bezüglich dieses Reinigungsvorgangs.

- Der erforderliche Mindestabstand für das Eintauchen des Pool-Saugers in das versenkte Fach beträgt 30 cm (12in).



- Entfernen Sie das Lattenrost und rollen Sie die Pool-Lamelle gemäß den Anweisungen in der Anleitung Ihrer Pool-Abdeckung aus.
- Lösen Sie eine Verlängerung des Pool-Saugers, bevor Sie ihn in den Pool eintauchen.
- Befestigen Sie eine Teleskopstange (nicht mitgeliefert) am Griff des Pool-Saugers, wie in der Anleitung beschrieben.
- Schalten Sie den Pool-Sauger ein und richten Sie ihn vor dem Eintauchen wie in der Abbildung oben gezeigt aus.
- Sobald der Sauger den Boden des Pools erreicht hat, richten Sie ihn parallel zur Länge des Pools aus (siehe Abbildung oben) und beginnen Sie mit dem Absaugen des versenkten Fachs.

LEEREN DER FILTERTASCHE

VORSICHT! Stellen Sie sicher, dass das Poolvakuum ausgeschaltet ist, bevor Sie den Filterbeutel reinigen.

Stellen Sie den Reiniger auf eine ebene Fläche. Drücken Sie auf den Schnurbefestigung, um den Beutel vom Hauptkörper zu lösen. Es wird empfohlen, den Filterbeutel mit Spritzwasser zu reinigen. Wenn das Bürsten als notwendig erachtet wird, reinigen Sie es vorsichtig mit einer weichen Bürste, um Beschädigungen zu vermeiden.

WARTUNG & LAGERUNG

HINWEIS:

1. Achten Sie darauf, die Bereiche um den Ladeanschluss und die Wassersensoren nach jedem Gebrauch zu reinigen und zu trocknen, um die Bildung von Ablagerungen (Nebenprodukt einer natürlichen chemischen Reaktion zwischen elektrischem Strom und Wasser) zu vermeiden. Andernfalls können Sie die Ablagerungen durch leichtes Schrubben mit einem mit Zitronensaft oder Essig getränkten Wattestäbchen entfernen.

2. Während der Lagerung entlädt sich der Akku von selbst. Achten Sie darauf, den Poolsauger auf 30 - 50 % Akkukapazität aufzuladen, bevor er weggelegt wird.
3. Sie müssen den Akku mindestens alle drei Monate aufladen, auch, wenn das Gerät nicht benutzt wird
 - Ziehen Sie den externen Adapter aus der Steckdose und das Ladekabel aus dem Ladestecker.
 - Nehmen Sie das Zubehör vom Pool-Sauger ab. Spülen Sie gegebenenfalls den Pool-Sauger und das Zubehör mit frischem Wasser aus. KEIN aggressives Reinigungsmittel verwenden.
 - Trocknen Sie das Poolvakuum vor der Lagerung.
 - Reinigen und trocknen Sie den Pool-Sauger und das Zubehör mit einem feuchten Tuch.
 - Lagern Sie sie an einem gut belüfteten Ort, fern von Sonnenlicht, Hitze, Zündquellen, Poolchemikalien und Kindern. Die Umgebungstemperatur für die Lagerung sollte 10°C - 25°C betragen. HINWEIS: Eine höhere Lagertemperatur kann die Batteriebensdauer verkürzen.

WARNUNG!

Versuchen Sie unter keinen Umständen, das Hauptgerät zu zerlegen und das Laufrad, den Motor und die Batterie selbst auszutauschen.

VORSICHT!

- Übermäßige Hitze kann die Batterie beschädigen und dadurch die Lebensdauer Ihres Pool-Saugers verkürzen.
- Wenden Sie sich bezüglich des Batteriewechsels an Ihren Händler, wenn Folgendes passiert:
 - Der Akku wird nicht vollständig aufgeladen.
 - Die Batteriebetriebszeit wird spürbar reduziert. Beobachten und notieren Sie die Laufzeiten der ersten Operationen (bei voller Ladung). Verwenden Sie diese Laufzeiten als Referenzpunkt für den Vergleich mit zukünftigen Laufzeiten.
- Die Batterie muss aus dem Pool-Sauger entfernt werden, bevor sie verschrottet wird.
- Die Batterie ist gemäß den örtlichen Verordnungen oder Vorschriften sicher zu entsorgen.

HINWEIS: Eine falsche Wartung kann die Batteriebensdauer verkürzen und die Kapazität beeinträchtigen.

BATTERIE ENTSORGUNG (Von einem autorisierten Techniker durchführen)

Ihr Pool-Sauger ist mit einem wartungsfreien wiederaufladbaren Lithium-Ionen-Akku ausgestattet, der ordnungsgemäß entsorgt werden muss. Recycling ist erforderlich; Bitte wenden Sie sich an Ihre örtliche Behörde, um weitere Informationen zu erhalten.

WARNUNG! Versuchen Sie niemals, einen Akku zu zerlegen

- Entfernen Sie alle persönlichen Gegenstände wie Ringe, Armbänder, Halsketten und Uhren, wenn der Akku aus dem Pool-Sauger heraus verdrahtet ist.
- Eine Batterie kann einen Kurzschlussstrom erzeugen, der hoch genug ist,

- um einen Ring (oder einen ähnlichen Gegenstand) mit Metall zu verschweißen, was zu schweren Verbrennungen führt.
- Tragen Sie beim Entfernen des Akkus einen vollständigen Augenschutz, Handschuhe und Schutzkleidung.
- Berühren Sie die Drähte gänzlich nicht und vermeiden Sie den Kontakt zwischen ihnen und Metallgegenständen, da dies zu Funkenbildung und/oder Kurzschluss der Batterie führen kann.
- Rauchen Sie niemals und lassen Sie keinen Funken oder keine Flamme in der Nähe der Batterie oder des Pool-Saugers.
- Setzen Sie den Akku keinem Feuer oder starker Hitze aus, da dies zu einer Explosion führen kann.

VORSICHT!

Wenn ein Batterieleck auftritt, vermeiden Sie jeglichen Kontakt mit den austretenden Flüssigkeiten und legen Sie die beschädigte Batterie in eine Plastiktüte.

- Wenn auslaufende Flüssigkeiten mit Haut und Kleidung in Berührung kommen, sofort mit viel Wasser und Seife waschen.
- Wenn auslaufende Flüssigkeiten mit den Augen in Kontakt kommen, reiben Sie sie nicht und spülen Sie sie sofort mindestens 15 Minuten lang mit kaltem fließendem Wasser. Suchen Sie so schnell wie möglich einen Arzt auf.

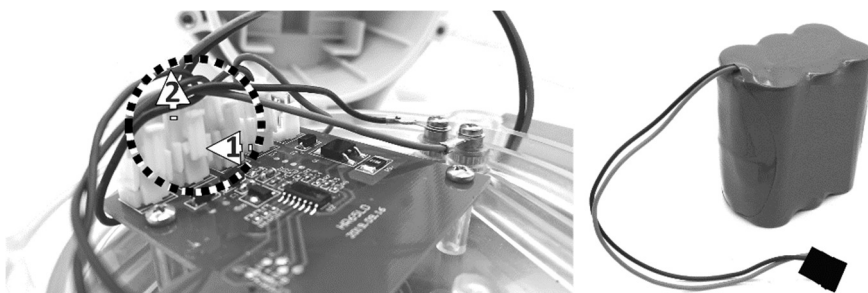
Entfernen den Akku nur zu dessen Entsorgung (von einem autorisierten Techniker durchzuführen)

Empfohlene Werkzeuge (nicht im Lieferumfang enthalten): Schraubendreher.
WARNUNG! Das Poolvakuum muss vor dem Entfernen des Akkus vom Stromnetz getrennt werden.



1. Stellen Sie den Pool-Sauger auf eine ebene Fläche. Lösen Sie mit dem Schraubendreher die Schrauben an der hinteren Abdeckung. Entfernen Sie die Batterie aus der Kammer.



2. Drücken Sie zum Abziehen des Batterieanschlusskabels auf den Clip des Steckers, um ihn herauszuziehen. **HINWEIS:** Wickeln Sie den Stecker sofort mit Isolierband um, um Kurzschlüsse durch den Kontakt beider Kabelklemmen zu vermeiden.



FEHLERBEHEBUNG

Problem	Mögliche Ursache	Lösung
Der Reiniger arbeitet nicht unter Wasser (nach 5-10 Sekunden).	Flecken auf Wassersensoren	Die Flecken können mit einem mit Zitronen- oder Essigsaft getränkten Wattestäbchen entfernt werden, um die Bereiche um die Wassersensoren zu reinigen.
	Leerer Akku	Laden Sie den Pool-Sauger auf.
	Verklemmt durch Stange im Schluffilterbeutel	Entfernen Sie den Pool-Sauger aus dem Pool und schalten Sie ihn aus. Bringen Sie die Stange wieder am Beutel an und vergewissern Sie sich, dass sie in ihrer Position gesichert ist.
Fängt die Trümmer nicht ein / Ablagerungen sind in den Pool gelangt	Niedriger Batteriestatus	Laden Sie den Pool-Sauger auf.
	Blockiertes Laufrad	Entfernen Sie den Pool-Sauger aus dem Wasser und drehen Sie den Knopf gegen den Uhrzeigersinn, um ihn auszuschalten. Überprüfen Sie, ob das Laufrad durch große Trümmer blockiert ist. Entfernen Sie die Rückstände. Wenden Sie sich bei Bedarf an Ihren Händler, um weitere Anweisungen zu erhalten. WARNUNG! Stellen Sie sicher, dass der Pool-Sauger ausgeschaltet ist, bevor Sie das Gerät warten.
	Verklemmt durch Stange im Schluffilterbeutel	Entfernen Sie den Pool-Sauger aus dem Pool und schalten Sie ihn aus. Bringen Sie die Stange wieder am Beutel an und vergewissern Sie sich, dass sie in ihrer Position gesichert ist.
	Laufrad kaputt	Wenden Sie sich zum Austausch an Ihren Händler.
	Filterbeutel ist voll / verstopft	Reinigen Sie den Filterbeutel.
Die Ladezeit ist länger als angegeben	Verschmutzte Ladestifte	Die Flecken können mit einem mit Zitronen- oder Essigsaft getränkten Wattestäbchen entfernt werden, um die Bereiche um die Ladestifte zu reinigen.
Reiniger kann nicht aufgeladen werden	Batterie beschädigt	Wenden Sie sich an den Händler, um die Batterie auszutauschen. WARNUNG! Tauschen Sie die Batterie NICHT selbst aus. Dies kann zu schweren oder tödlichen Verletzungen führen und die Garantie erlischt.
	Der Ladestecker ist nicht richtig an den externen Adapter und den Pool-Sauger angeschlossen.	Siehe Bedienungsanleitung und schließen Sie das Ladezubehör richtig an.
	Externer Adapter ist außer Betrieb	Wenden Sie sich zum Austausch an den Händler. WARNUNG! Die Verwendung eines falschen externen Adapters führt zur Beschädigung des Pool-Saugers/der Batterie und zum Erlöschen der Garantie.
Environmental Programmes, WEEE European Directive		
	Bitte beachten Sie die EU-Vorschriften und tragen Sie zum Umweltschutz bei. Geben Sie nicht funktionierende elektrische Geräte an eine von Ihrer Gemeinde beauftragte Einrichtung zurück, in der elektrische und elektronische Geräte ordnungsgemäß recycelt werden. Entsorgen Sie sie nicht in unsortierten Abfallbehältern. Entfernen Sie bei Gegenständen mit austauschbaren Batterien die Batterien, bevor Sie das Produkt entsorgen.	
	© 2020 Kokido Development Ltd. Alle Rechte vorbehalten. Ohne die vorherige schriftliche Genehmigung der Kokido Development Ltd. darf dieses Dokument weder ganz noch in Teilen vervielfältigt oder in anderer Weise übertragen werden, gleich ob durch elektronische oder mechanische Verfahren oder durch Photokopie, Tonaufnahmen oder andere Verfahren. (V1)	20009015

Wenn eine Kopie dieser Bedienungsanleitung erforderlich ist, wenden Sie sich bitte per E-Mail an unseren Kundendienst: customerservice@kokido.com

ANLEITUNG AUFBEWAHREN

- GB** We reserve the right to change all or part of the features of the articles or contents of this document, without prior notice.
International patents pending
- FR** Nous nous réservons le droit de modifier tout ou partie des caractéristiques des articles ou des contenus de ce document, sans notification préalable.
Brevets internationaux en attente
- ES** Nos reservamos el derecho de modificar la totalidad o parte de las características de los artículos o contenidos de este documento sin aviso previo.
Patentes Internacionales pendientes
- NL** Wij behouden ons het recht voor om zonder voorafgaande kennisgeving de artikelen of de inhoud van dit document te wijzigen.
In afwachting van internationale patenten
- IT** Ci riserviamo il diritto di modificare integralmente o parzialmente le caratteristiche degli articoli o del contenuto del presente documento senza preavviso.
Patenti internazionali in attesa
- DE** Wir behalten uns das Recht vor, Aspekte der Artikel bzw. den Inhalt dieses Dokuments jeweils ganz oder teilweise ohne vorherige Ankündigung zu ändern.
International zum Patent angemeldet



NB-V1-20009015

Manufacturer/Fabricant/Fabricante/Fabrikant/Fabbricante/Hersteller:

Kokido Development Limited.

Unit 1319, Sunbeam Centre, 27 Shing Yip Street, Kwun Tong, Kowloon, HK